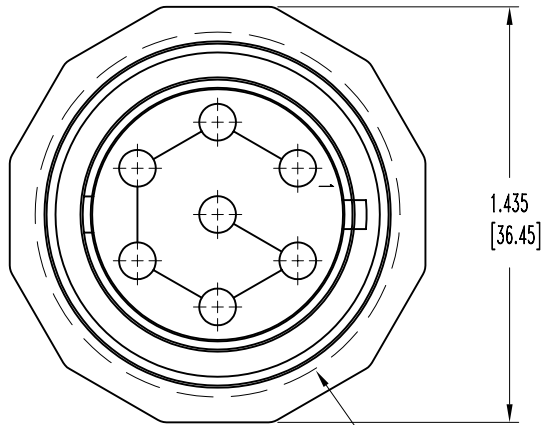


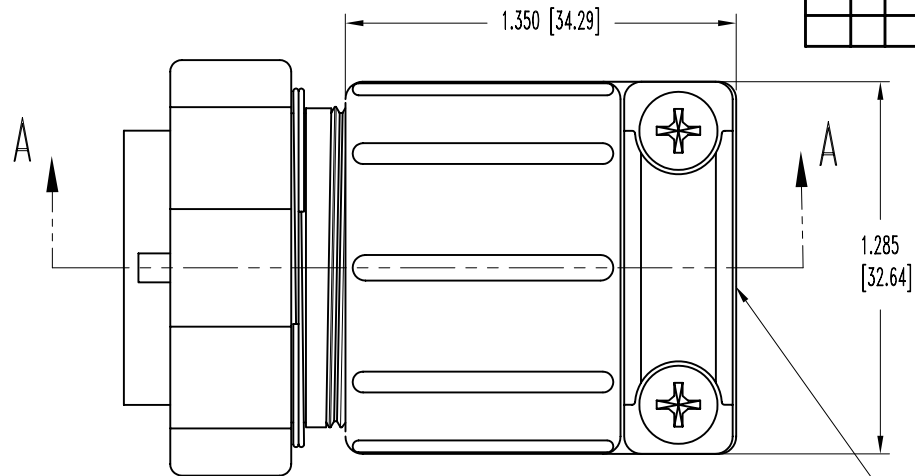
POSITRONIC INDUSTRIES BELIEVES THE DATA ON THIS DRAWING TO BE RELIABLE. SINCE THE TECHNICAL INFORMATION IS GIVEN FREE OF CHARGE, THE USER EMPLOYS SUCH INFORMATION AT HIS OWN DISCRETION AND RISK. POSITRONIC INDUSTRIES ASSUMES NO RESPONSIBILITY FOR RESULTS OBTAINED OR DAMAGES INCURRED FROM USE OF SUCH INFORMATION IN WHOLE OR IN PART.

SK5385

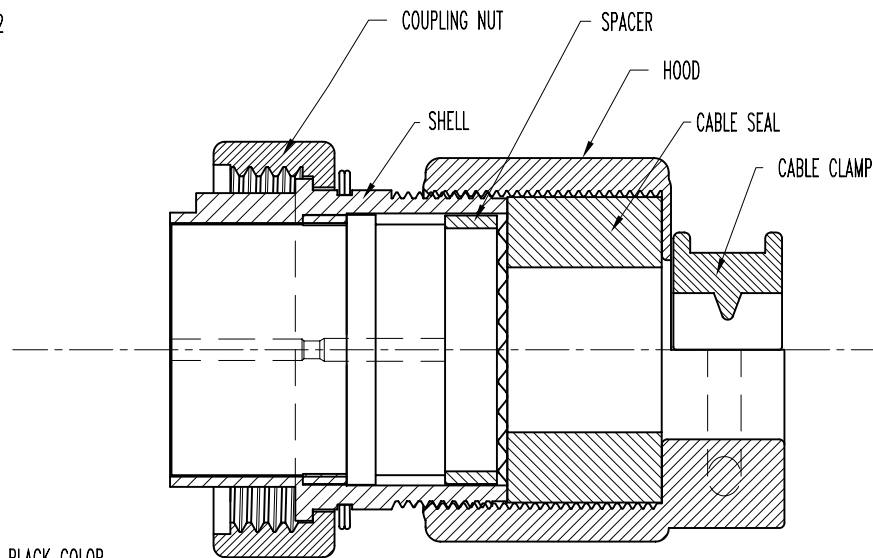
DATE	REV	REVISION RECORD	APP	DR	CK
4-2-04	NC	ECO 22243		ME	



M32



∅0.570 [14.48]  
MAXIMUM CABLE



NOTES:

- MATERIAL AND FINISHES:  
INSULATOR INSERT: GLASS-FILLED DAP, TYPE SDG-F, UL 94V-0, BLACK COLOR.  
HOUSING AND CABLE ADAPTERS: GLASS-FILLED POLYESTER, BLACK COLOR, UL 94V-0.  
COUPLING NUT: GLASS-FILLED POLYESTER, BLACK COLOR, UL 94V-0.
- ELECTRICAL CHARACTERISTICS:  
INSULATOR RESISTANCE: 5 G OHMS PER IEC 512-2, TEST 3a, METHOD A.  
WORKING VOLTAGE: 600V RMS.  
CREEPAGE: 0.189 [4.80] MINIMUM.
- WORKING TEMPERATURE: -55°C TO +125°C.
- FOUR CABLE SEALS SUPPLIED WITH CONNECTOR.
- DIMENSIONS ARE IN INCHES [MILLIMETERS].

SECTION A-A

		<b>POSITRONIC INDUSTRIES INC.</b> www.connectpositronic.com	
		<b>FRONT RUNNER SERIES</b>	SCALE <b>N.T.S.</b>
DECIMAL TOL. <b>± 0.015 [0.38]</b>	TITLE <b>FR19FP716L4</b>		
ANGULAR TOL. <b>± 5°</b>	DATE <b>4-2-04</b>	DRAWING NUMBER <b>SK5385</b>	REV. <b>NC</b>