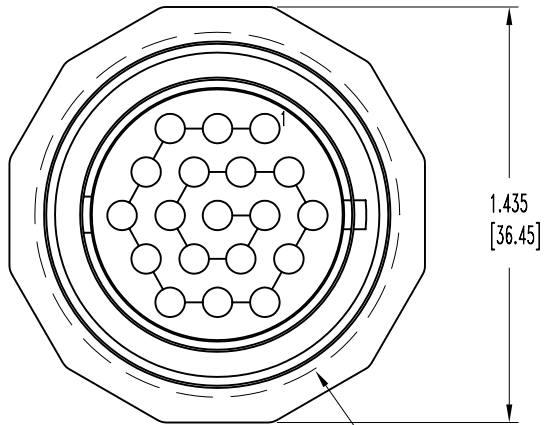


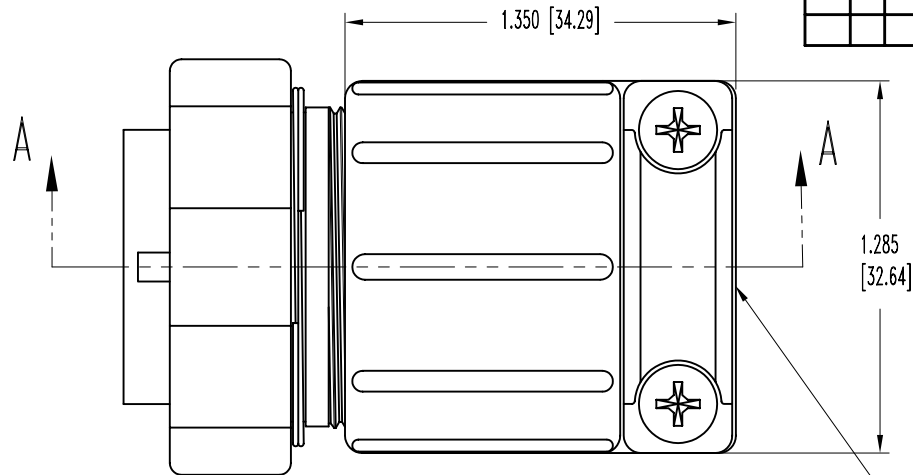
SK7534

POSITRONIC INDUSTRIES BELIEVES THE DATA ON THIS DRAWING TO BE RELIABLE. SINCE THE TECHNICAL INFORMATION IS GIVEN FREE OF CHARGE, THE USER EMPLOYS SUCH INFORMATION AT HIS OWN DISCRETION AND RISK. POSITRONIC INDUSTRIES ASSUMES NO RESPONSIBILITY FOR RESULTS OBTAINED OR DAMAGES INCURRED FROM USE OF SUCH INFORMATION IN WHOLE OR IN PART.

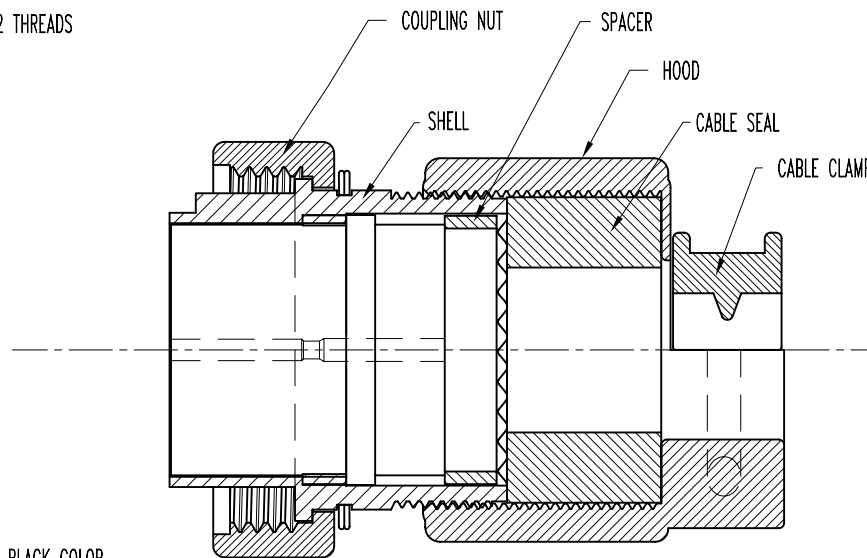
DATE	REV	REVISION RECORD	APP	DR	CK
6-7-06	NC	ECO 26092		YK	



M32 THREADS



∅0.570 [14.48]
MAXIMUM CABLE



NOTES:

- MATERIAL AND FINISHES:
INSULATOR INSERT: GLASS-FILLED DAP, TYPE SDG-F, UL 94V-0, BLACK COLOR.
HOUSING AND CABLE ADAPTERS: GLASS-FILLED POLYESTER, BLACK COLOR, UL 94V-0.
COUPLING NUT: GLASS-FILLED POLYESTER, BLACK COLOR, UL 94V-0.
- ELECTRICAL CHARACTERISTICS:
INSULATOR RESISTANCE: 5 G OHMS PER IEC 512-2, TEST 3a, METHOD A.
WORKING VOLTAGE: 250V RMS.
CREEPAGE: 0.059 [1.5] MINIMUM.
- WORKING TEMPERATURE: -55°C TO +125°C.
- FOUR CABLE SEALS SUPPLIED WITH CONNECTOR.
- DIMENSIONS ARE IN INCHES [MILLIMETERS].

SECTION A-A

	POSITRONIC INDUSTRIES INC. www.connectpositronic.com		SCALE	DRAWN BY
	FRONT RUNNER SERIES		N.T.S.	YK
DECIMAL TOL. ± 0.015 [0.38]	TITLE FR19FP1920L4		APPROVED BY	
ANGULAR TOL. ± 5°	DATE 6-7-06	DRAWING NUMBER SK7534	REV. NC	