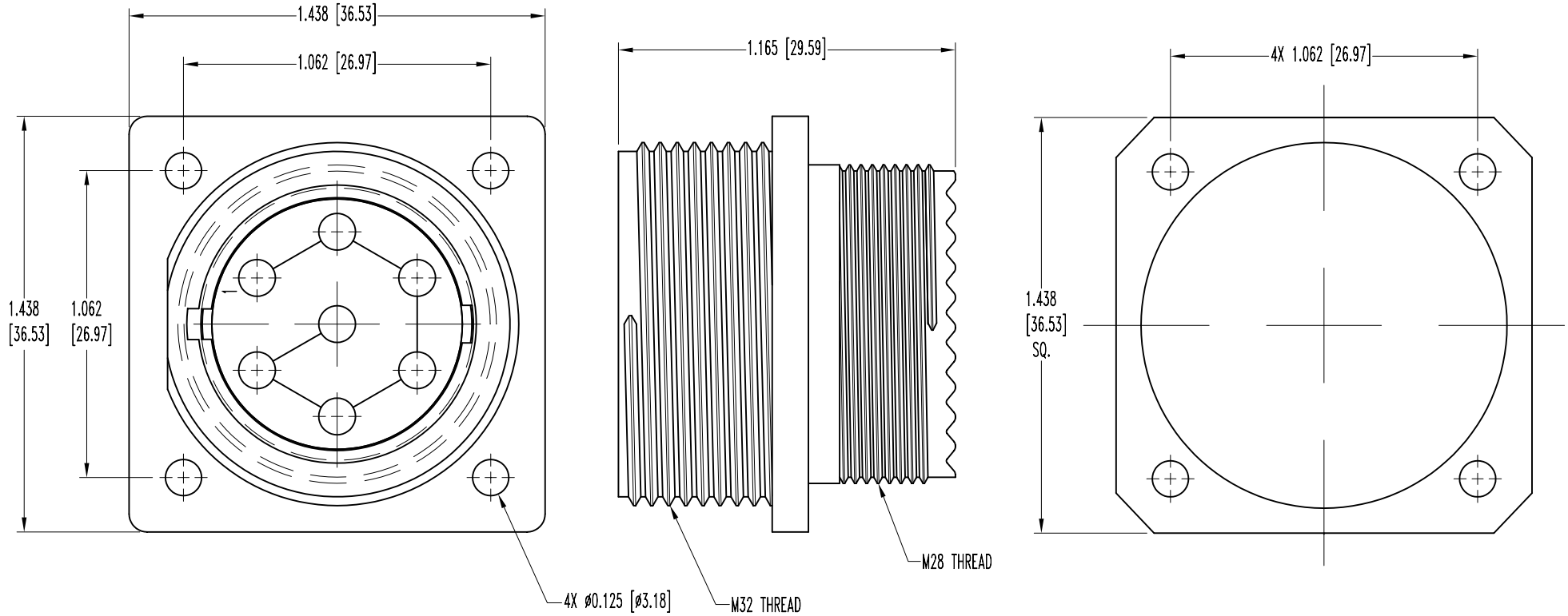


SK5384

POSITRONIC INDUSTRIES BELIEVES THE DATA ON THIS DRAWING TO BE RELIABLE. SINCE THE TECHNICAL INFORMATION IS GIVEN FREE OF CHARGE, THE USER EMPLOYS SUCH INFORMATION AT HIS OWN DISCRETION AND RISK. POSITRONIC INDUSTRIES ASSUMES NO RESPONSIBILITY FOR RESULTS OBTAINED OR DAMAGES INCURRED FROM USE OF SUCH INFORMATION IN WHOLE OR IN PART.


DATE	REV	REVISION RECORD	APP	DR	CK
4-2-04	NC	ECO 22243		ME	



ENVIRONMENTAL GASKET

NOTES:

- MATERIALS AND FINISHES:**
  - INSULATOR INSERT: GLASS-FILLED DAP, TYPE SDG-F, BLACK COLOR, UL 94V-0.
  - ENVIRONMENTAL GASKET: NEOPRENE SHEET, 0.030 [0.76] THICK.
  - SHELL, RECEPTACLE: GLASS FILLED POLYESTER, BLACK.
  - O-RING: THERMOPLASTIC ELASTOMER.
- ELECTRICAL CHARACTERISTICS:**
  - INSULATOR RESISTANCE: 5 G OHMS PER IEC 512-2, TEST 3a, METHOD A.
  - WORKING VOLTAGE: 600V RMS.
  - CREEPAGE DISTANCE: 0.189 [4.80] MINIMUM.
- WORKING TEMPERATURE:** -55°C TO +125°C.
- DIMENSIONS ARE IN INCHES [MILLIMETERS].**

		<b>POSITRONIC INDUSTRIES INC.</b> www.connectpositronic.com	
		<b>FRONT RUNNER SERIES</b>	SCALE <b>N.T.S.</b>
DECIMAL TOL. <b>± 0.015 [0.38]</b>	TITLE <b>FR19MF716L0</b>		
ANGULAR TOL. <b>± 5°</b>	DATE <b>4-2-04</b>	DRAWING NUMBER <b>SK5384</b>	REV. <b>NC</b>