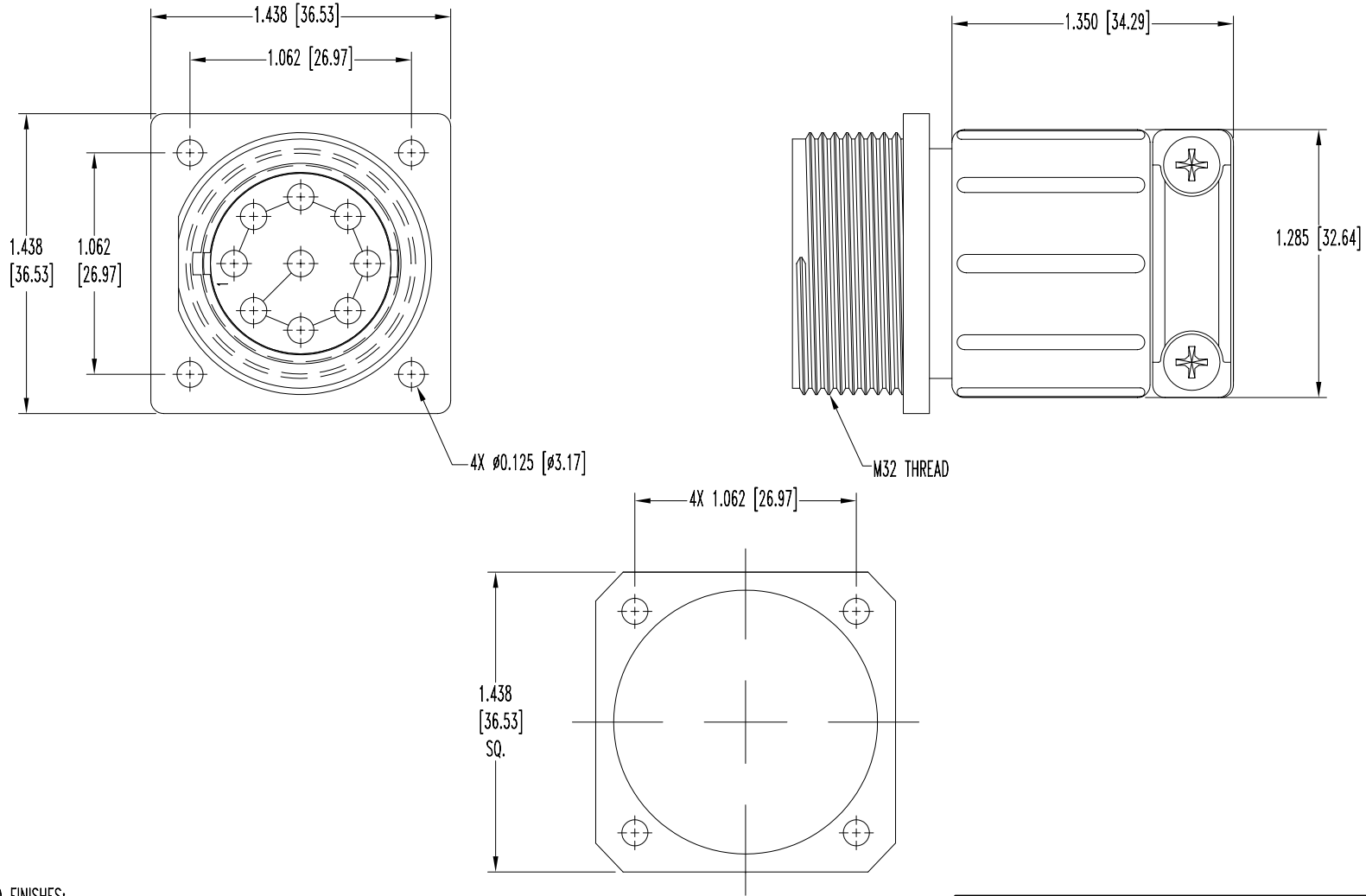


SK8742

POSITRONIC INDUSTRIES BELIEVES THE DATA ON THIS DRAWING TO BE RELIABLE. SINCE THE TECHNICAL INFORMATION IS GIVEN FREE OF CHARGE, THE USER EMPLOYS SUCH INFORMATION AT HIS OWN DISCRETION AND RISK. POSITRONIC INDUSTRIES ASSUMES NO RESPONSIBILITY FOR RESULTS OBTAINED OR DAMAGES INCURRED FROM USE OF SUCH INFORMATION IN WHOLE OR IN PART.

DATE	REV	REVISION RECORD	APP	DR	CK
7-12-06	NC	ECO 28162		YK	



NOTES:

1. MATERIAL AND FINISHES:

- INSULATOR INSERT: GLASS-FILLED DAP, TYPE SDG-F, UL 94V-0, BLACK COLOR.
- HOOD AND CABLE CLAMPS: GLASS-FILLED POLYESTER, BLACK COLOR, UL 94V-0.
- HOUSING: GLASS-FILLED POLYESTER, BLACK COLOR, UL 94V-0.
- CABLE CLAMPS: GLASS FILLED POLYESTER, COLOR BLACK.
- ENVIRONMENTAL GASKET: NEOPRENE SHEET, 0.030 [0.76] THICK.
- SCREWS: STAINLESS STEEL, PASSIVATED.

2. ELECTRICAL CHARACTERISTICS:

- INSULATOR RESISTANCE: 5 G OHMS PER IEC 512-2, TEST 3a, METHOD A.

3. WORKING TEMPERATURE: -55°C TO +125°C.

4. DIMENSIONS ARE IN INCHES [MILLIMETERS].

	POSITRONIC INDUSTRIES INC. www.connectpositronic.com		FSCM 28198
	FRONT RUNNER SERIES	SCALE N.T.S.	DRAWN BY YK
DECIMAL TOL. ± 0.015 [0.38]	TITLE FR19MF916L4		
ANGULAR TOL. ± 5°	DATE 7-12-07	DRAWING NUMBER SK8742	REV. NC