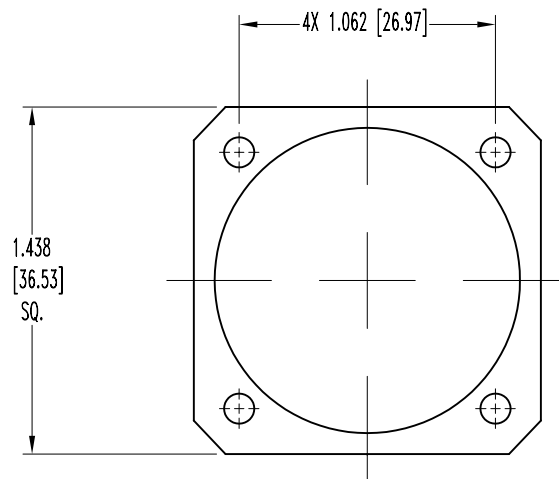
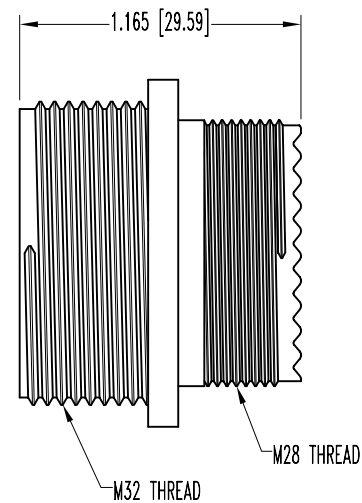
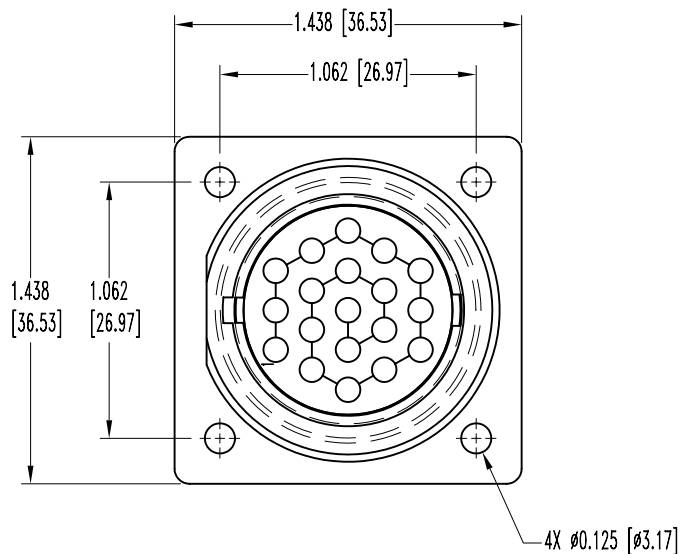


POSITRONIC INDUSTRIES BELIEVES THE DATA ON THIS DRAWING TO BE RELIABLE. SINCE THE TECHNICAL INFORMATION IS GIVEN FREE OF CHARGE, THE USER EMPLOYS SUCH INFORMATION AT HIS OWN DISCRETION AND RISK. POSITRONIC INDUSTRIES ASSUMES NO RESPONSIBILITY FOR RESULTS OBTAINED OR DAMAGES INCURRED FROM USE OF SUCH INFORMATION IN WHOLE OR IN PART.


DATE	REV	REVISION RECORD	APP	DR	CK
6-7-06	NC	ECO 26092		YK	



ENVIRONMENTAL GASKET

NOTES:

- MATERIALS AND FINISHES:**
 INSULATOR INSERT: GLASS-FILLED DAP, TYPE SDG-F, BLACK COLOR, UL 94V-0.
 SHELL, RECEPTACLE: GLASS FILLED POLYESTER, BLACK.
 ENVIRONMENTAL GASKET: NEOPRENE SHEET, 0.030 [0.76] THICK.
 O-RING: THERMOPLASTIC ELASTOMER.
- ELECTRICAL CHARACTERISTICS:**
 INSULATOR RESISTANCE: 5 G OHMS PER IEC 512-2, TEST 3a, METHOD A.
 WORKING VOLTAGE: 250V RMS.
- WORKING TEMPERATURE:** -55°C TO +125°C.
- DIMENSIONS ARE IN INCHES [MILLIMETERS].**

 POSITRONIC INDUSTRIES INC. www.connectpositronic.com		SCALE		DRWN BY
		N.T.S.		YK
DECIMAL TOL. ± 0.015 [0.38]		FRONT RUNNER SERIES		APPROVED BY
		TITLE		
		FR19MF1920L0		
ANGULAR TOL. ± 5°		DATE	DRAWING NUMBER	REV.
		6-7-06	SK7535	NC