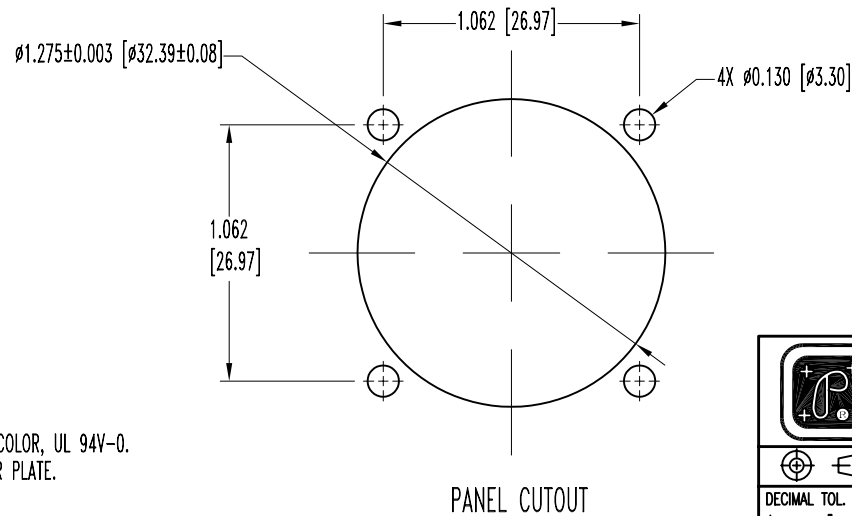
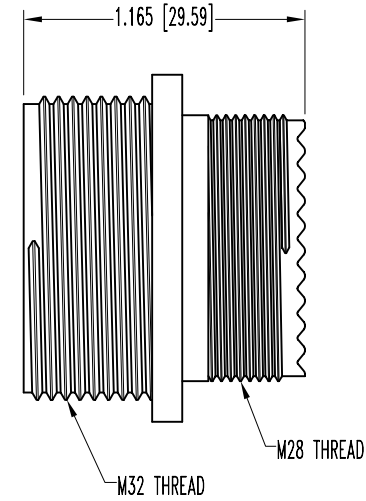
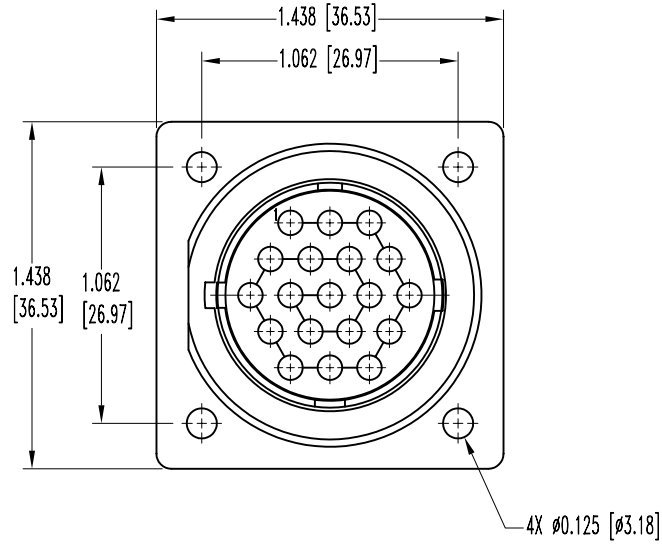


SK5637

POSITRONIC INDUSTRIES BELIEVES THE DATA ON THIS DRAWING TO BE RELIABLE. SINCE THE TECHNICAL INFORMATION IS GIVEN FREE OF CHARGE, THE USER EMPLOYS SUCH INFORMATION AT HIS OWN DISCRETION AND RISK. POSITRONIC INDUSTRIES ASSUMES NO RESPONSIBILITY FOR RESULTS OBTAINED OR DAMAGES INCURRED FROM USE OF SUCH INFORMATION IN WHOLE OR IN PART.

DATE	REV	REVISION RECORD	APP	DR	CK
8-30-04	NC	ECO 22933		YK	



NOTES:

- MATERIALS AND FINISHES:
 INSULATOR INSERT: GLASS-FILLED DAP, TYPE SDG-F, BLACK COLOR, UL 94V-0.
 HOUSING: THERMOPLASTIC, ELECTROLESS NICKEL OVER COPPER PLATE.
- ELECTRICAL CHARACTERISTICS:
 INSULATOR RESISTANCE: 5 G OHMS PER IEC 512-2, TEST 3a, METHOD A.
 WORKING VOLTAGE: 250V RMS.
- WORKING TEMPERATURE: -55°C TO +125°C.
- DIMENSIONS ARE IN INCHES [MILLIMETERS].

 POSITRONIC INDUSTRIES INC. www.connectpositronic.com		SCALE		DRAWN BY	
		N.T.S.		YK	
DECIMAL TOL.		TITLE		APPROVED BY	
± 0.015 [0.38]		FR19MF1920M0			
ANGULAR TOL.		DATE		DRAWING NUMBER	
$\pm 5^\circ$		8-30-04		SK5637	
				REV.	
				NC	