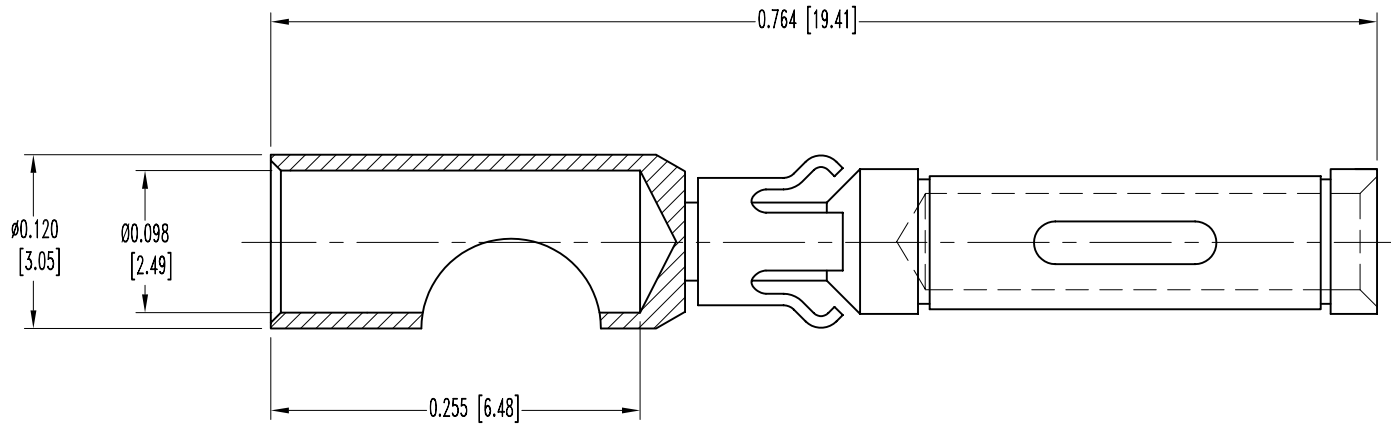


SK7292


POSITRONIC INDUSTRIES BELIEVES THE DATA ON THIS DRAWING TO BE RELIABLE. SINCE THE TECHNICAL INFORMATION IS GIVEN FREE OF CHARGE, THE USER EMPLOYS SUCH INFORMATION AT HIS OWN DISCRETION AND RISK. POSITRONIC INDUSTRIES ASSUMES NO RESPONSIBILITY FOR RESULTS OBTAINED OR DAMAGES INCURRED FROM USE OF SUCH INFORMATION IN WHOLE OR IN PART.

| DATE    | REV | REVISION RECORD | APP | DR | CK |
|---------|-----|-----------------|-----|----|----|
| 4-26-06 | NC  | ECO 25877       |     | YK |    |
|         |     |                 |     |    |    |
|         |     |                 |     |    |    |



NOTES:

- MATERIAL AND FINISHES:  
 CONTACT: BRASS, 0.000030 [0.75 $\mu$ ] GOLD OVER NICKEL PLATE.  
 SPRING CLIP: BERYLLIUM COPPER, GOLD FLASH OVER NICKEL PLATE.  
 RETAINER: BERYLLIUM COPPER, GOLD FLASH OVER NICKEL PLATE.
- ELECTRICAL CHARACTERISTICS:  
 INITIAL CONTACT RESISTANCE: 0.003 OHMS.
- WORKING TEMPERATURE: -65°C TO 150°C.
- CONTACTS ARE ROHS COMPLIANT PER ROHS DIRECTIVE 2002/95/EC OF 27 JAN 2003.
- DIMENSIONS ARE IN INCHES [MILLIMETERS].

|   |  |  |                     |
|---|--|--|---------------------|
|  |  | <b>POSITRONIC INDUSTRIES INC.</b><br>www.connectpositronic.com |                     |
|   |  | DECIMAL TOL.<br>$\pm 0.015$ [0.38]                             | TITLE<br>PCS SERIES |
| ANGULAR TOL.<br>$\pm 5^\circ$   |  | DATE<br>4-26-06  |                     |
|   |  | DRAWING NUMBER<br>SK7292                                       | REV.<br>NC          |