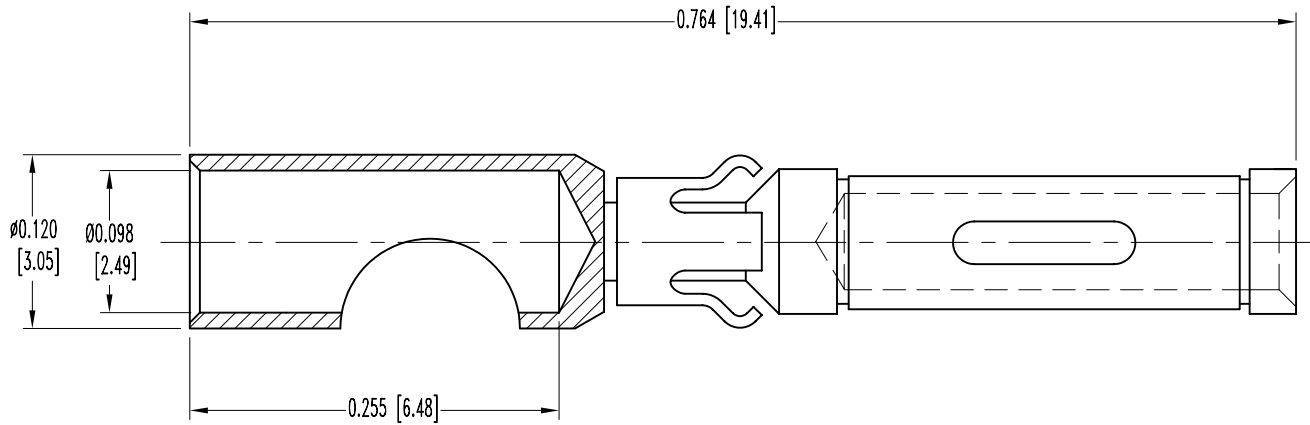


SK6551

POSITRONIC INDUSTRIES BELIEVES THE DATA ON THIS DRAWING TO BE RELIABLE. SINCE THE TECHNICAL INFORMATION IS GIVEN FREE OF CHARGE, THE USER EMPLOYS SUCH INFORMATION AT HIS OWN DISCRETION AND RISK. POSITRONIC INDUSTRIES ASSUMES NO RESPONSIBILITY FOR RESULTS OBTAINED OR DAMAGES INCURRED FROM USE OF SUCH INFORMATION IN WHOLE OR IN PART.

DATE	REV	REVISION RECORD	APP	DR	CK
9-8-05	NC	ECO 24611		YK	



NOTES:

- MATERIAL AND FINISHES:
 CONTACT: BRASS, GOLD FLASH OVER NICKEL PLATE.
 SPRING CLIP: BERYLLIUM COPPER, GOLD FLASH OVER NICKEL PLATE.
 RETAINER: BERYLLIUM COPPER, GOLD FLASH OVER NICKEL PLATE.
- ELECTRICAL CHARACTERISTICS:
 INITIAL CONTACT RESISTANCE: 0.003 OHMS.
- WORKING TEMPERATURE: -65°C TO 150°C.
- CONTACTS ARE ROHS COMPLIANT PER ROHS DIRECTIVE 2002/95/EC OF 27 JAN 2003.
- DIMENSIONS ARE IN INCHES [MILLIMETERS].

 POSITRONIC INDUSTRIES INC. www.connectpositronic.com		SCALE		DRAWN BY	
DECIMAL TOL. ± 0.015 [0.38]		N.T.S.		YK	
TITLE FS112N2/AA		APPROVED BY			
DATE 9-8-05		DRAWING NUMBER		REV.	
ANGULAR TOL. $\pm 5^\circ$		SK6551		NC	