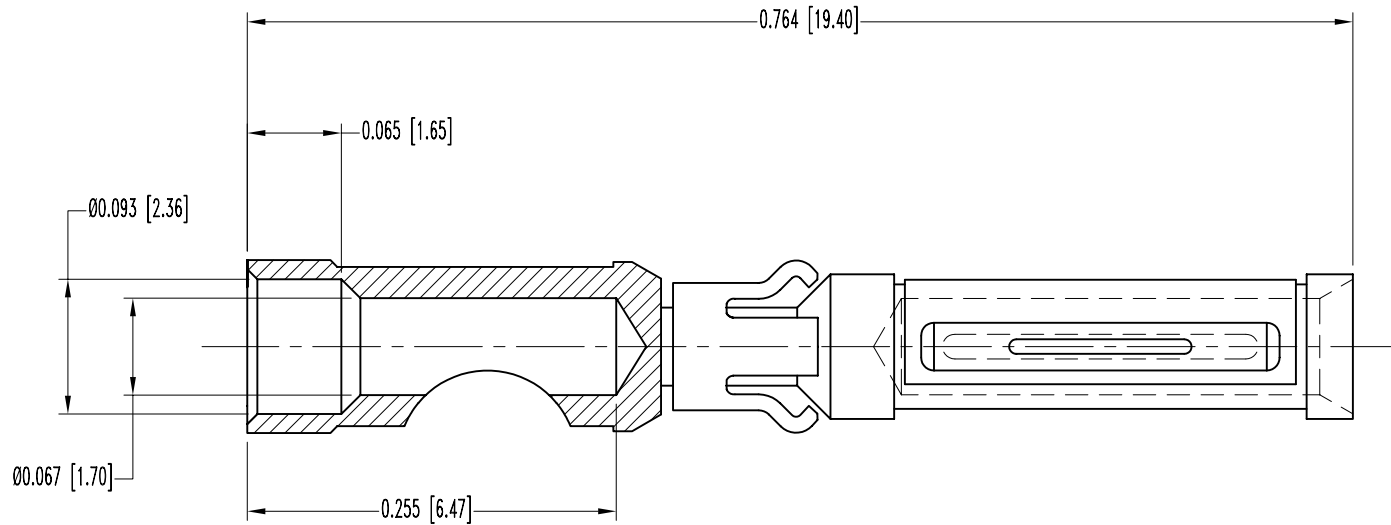


SK8246


POSITRONIC INDUSTRIES BELIEVES THE DATA ON THIS DRAWING TO BE RELIABLE. SINCE THE TECHNICAL INFORMATION IS GIVEN FREE OF CHARGE, THE USER EMPLOYS SUCH INFORMATION AT HIS OWN DISCRETION AND RISK. POSITRONIC INDUSTRIES ASSUMES NO RESPONSIBILITY FOR RESULTS OBTAINED OR DAMAGES INCURRED FROM USE OF SUCH INFORMATION IN WHOLE OR IN PART.

DATE	REV	REVISION RECORD	APP	DR	CK
12-22-06	NC	ECO 27229		YK	



NOTES:

- MATERIAL AND FINISHES:
 CONTACT: BRASS, GOLD FLASH OVER NICKEL PLATE.
 SPRING CLIP: BERYLLIUM COPPER, GOLD FLASH OVER NICKEL PLATE.
 RETAINER: BERYLLIUM COPPER, GOLD FLASH OVER NICKEL PLATE.
- ELECTRICAL CHARACTERISTICS:
 INITIAL CONTACT RESISTANCE: 0.003 OHMS.
 CONTACT CURRENT RATING: 13 AMPS MAX.
- WORKING TEMPERATURE: -65°C TO 150°C.
- CONTACTS ARE ROHS COMPLIANT PER ROHS DIRECTIVE 20002/95/EC OF 27 JAN 2003.
- DIMENSIONS ARE IN INCHES [MILLIMETERS].

 POSITRONIC INDUSTRIES INC. www.connectpositronic.com		SCALE		DRAWN BY	
DECIMAL TOL. ± 0.015 [0.38]		GMCT SERIES		N.T.S.	
ANGULAR TOL. ± 5°		DATE		REV.	
		12-22-06		NC	
TITLE		DRAWING NUMBER		APPROVED BY	
FS116N2/AA		SK8246		YK	