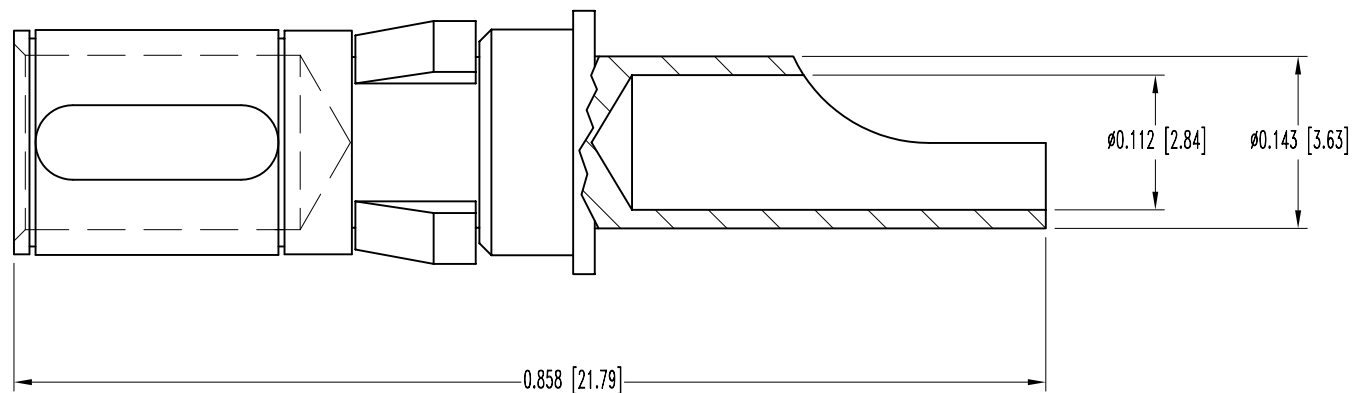


SK6962


POSITRONIC INDUSTRIES BELIEVES THE DATA ON THIS DRAWING TO BE RELIABLE. SINCE THE TECHNICAL INFORMATION IS GIVEN FREE OF CHARGE, THE USER EMPLOYS SUCH INFORMATION AT HIS OWN DISCRETION AND RISK. POSITRONIC INDUSTRIES ASSUMES NO RESPONSIBILITY FOR RESULTS OBTAINED OR DAMAGES INCURRED FROM USE OF SUCH INFORMATION IN WHOLE OR IN PART.

DATE	REV	REVISION RECORD	APP	DR	CK
1-17-06	NC	ECO 25356		YK	



NOTES:

- MATERIAL AND FINISH:
 CONTACT: HIGH CONDUCTIVITY COPPER ALLOY, GOLD FLASH OVER NICKEL.
 SPRING CLIP: BERYLLIUM COPPER, GOLD FLASH OVER NICKEL PLATE.
 RETENTION RING: BERYLLIUM COPPER, NICKEL PLATE.
- ELECTRICAL CHARACTERISTICS:
 CONTACT CURRENT RATING: 20 AMPERES NOMINAL.
 INITIAL CONTACT RESISTANCE: 0.0005 OHMS MAXIMUM.
- CONTACTS ARE ROHS COMPLIANT PER ROHS DIRECTIVE 2002/95/EC OF 27 JAN 2003.
- DIMENSIONS ARE IN INCHES [MILLIMETERS].

 POSITRONIC INDUSTRIES INC. www.connectpositronic.com		SCALE		DRAWN BY	
DECIMAL TOL. ± 0.015 [0.38]		N.T.S.		YK	
ANGULAR TOL. $\pm 5^\circ$		TITLE FS4012D/AA		APPROVED BY	
DATE 1-17-06		DRAWING NUMBER SK6962		REV. NC	