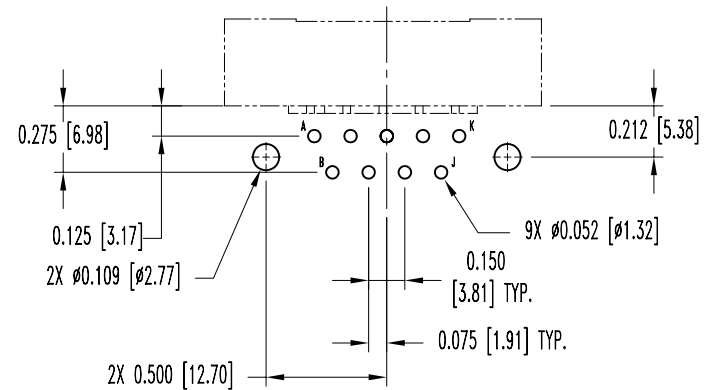
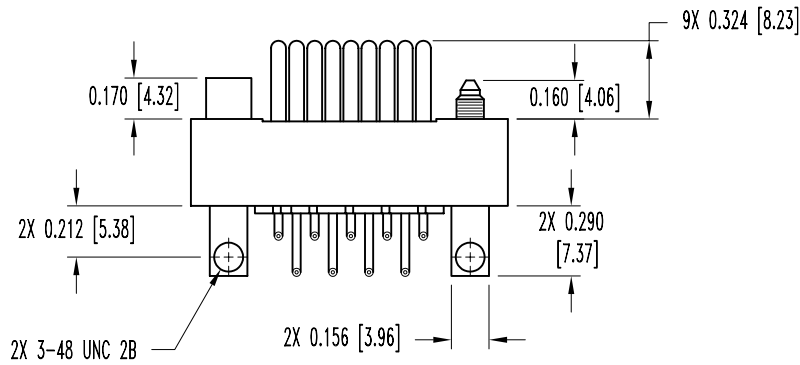
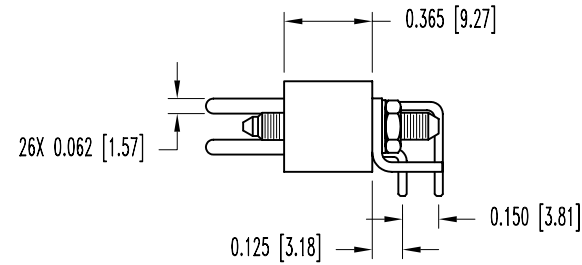
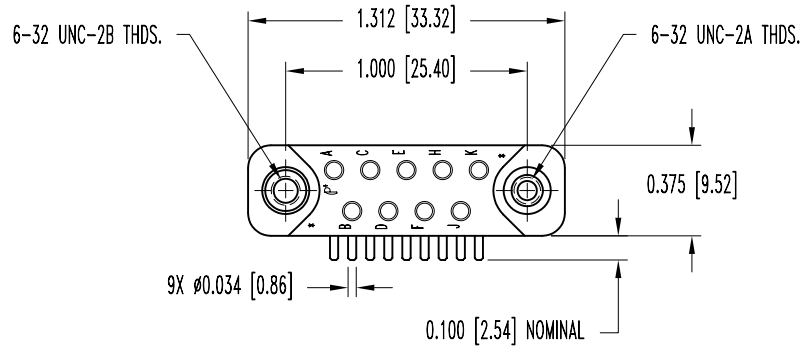


POSITRONIC INDUSTRIES BELIEVES THE DATA ON THIS DRAWING TO BE RELIABLE. SINCE THE TECHNICAL INFORMATION IS GIVEN FREE OF CHARGE, THE USER EMPLOYS SUCH INFORMATION AT HIS OWN DISCRETION AND RISK. POSITRONIC INDUSTRIES ASSUMES NO RESPONSIBILITY FOR RESULTS OBTAINED OR DAMAGES INCURRED FROM USE OF SUCH INFORMATION IN WHOLE OR IN PART.


DATE	REV	REVISION RECORD	APP	DR	CK
7-8-05	NC	ECO 24320		YK	



CONTACT HOLE PATTERN

NOTES:

- MATERIALS AND FINISHES:  
 INSULATOR: GLASS FILLED DAP PER ASTM-D-5948 TYPE SDG-F, COLOR GREY.  
 CONTACTS: COPPER ALLOY WITH GOLD FLASH OVER NICKEL PLATE.  
 ANGLE BRACKETS: BRASS, ZINC PLATE WITH CHROMATE SEAL.  
 JACKSCREWS: BRASS, ZINC PLATE WITH CHROMATE SEAL.
- ELECTRICAL CHARACTERISTICS:  
 CONTACT CURRENT RATING [MAXIMUM]: 7.5 AMPERES LIMITED AT CONTACT TERMINATION DIAMETER.  
 INITIAL CONTACT RESISTANCE: 0.003 OHMS.  
 INSULATOR RESISTANCE: 5 G OHMS.  
 WORKING VOLTAGE: 250 V.AC [rms].
- WORKING TEMPERATURE: -55°C TO +125°C.
- CONNECTORS ARE ROHS COMPLIANT PER ROHS DIRECTIVE 2002/95/EC OF 27 JAN 2003.
- DIMENSIONS ARE IN INCHES [MILLIMETERS].

 <b>POSITRONIC INDUSTRIES INC.</b> www.connectpositronic.com		SCALE	DRAWN BY
		N.T.S.	YK
DECIMAL TOL. ± 0.015 [0.38]		TITLE GAPL SERIES	
DATE 7-8-05		DRAWING NUMBER SK6307	
ANGULAR TOL. ± 5°		REV. NC	