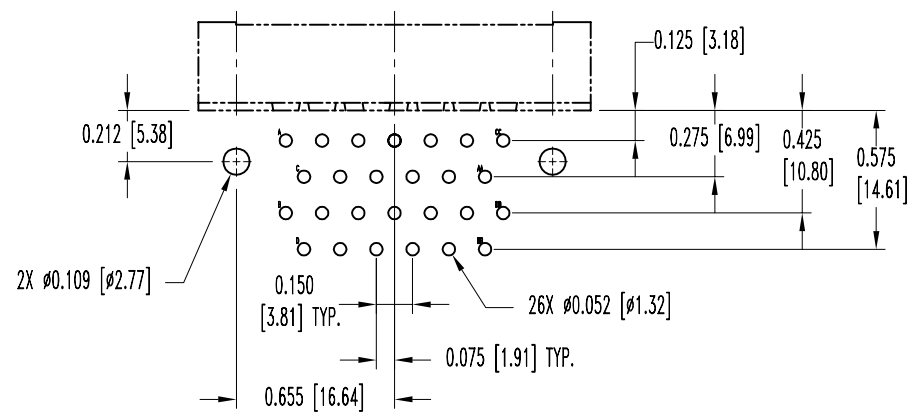
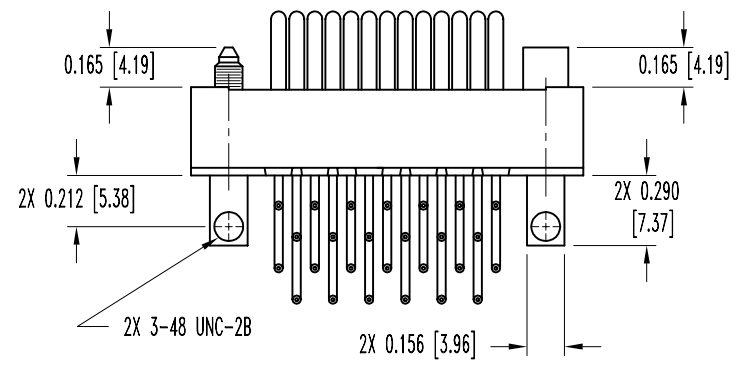
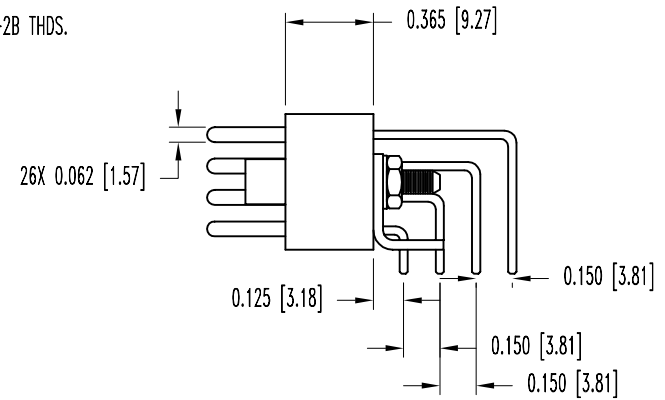
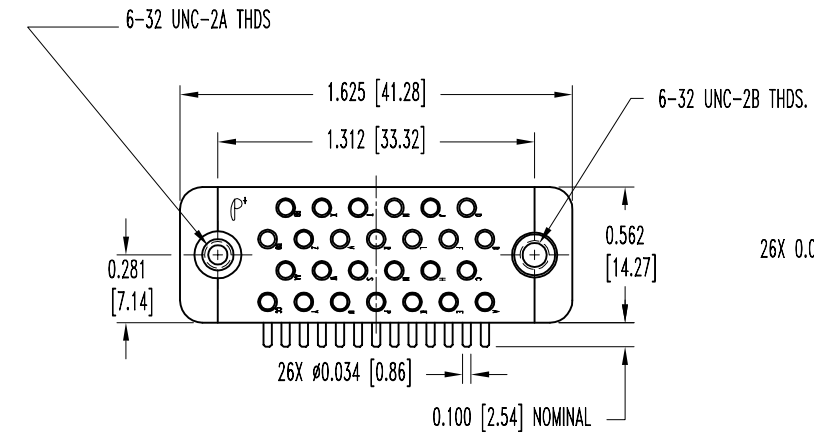


SK4179

POSITRONIC INDUSTRIES BELIEVES THE DATA ON THIS DRAWING TO BE RELIABLE. SINCE THE TECHNICAL INFORMATION IS GIVEN FREE OF CHARGE, THE USER EMPLOYS SUCH INFORMATION AT HIS OWN DISCRETION AND RISK. POSITRONIC INDUSTRIES ASSUMES NO RESPONSIBILITY FOR RESULTS OBTAINED OR DAMAGES INCURRED FROM USE OF SUCH INFORMATION IN WHOLE OR IN PART.

DATE	REV	REVISION RECORD	APP	DR	CK
2-11-02	NC	ECO 18981		ME	



NOTES:

1. MATERIALS AND FINISHES:

- INSULATOR - GLASS FILLED DAP PER ASTM-D-5948 TYPE SDG-F. COLOR GREY.
- CONTACTS: COPPER ALLOY WITH GOLD FLASH OVER NICKEL PLATE.
- ANGLE BRACKETS- BRASS, ZINC PLATE WITH DICHROMATE SEAL.
- JACKSCREW SYSTEM: PASSIVATED STAINLESS STEEL.

2. ELECTRICAL CHARACTERISTICS:

- INSULATOR RESISTANCE: 5 G OHMS.
- WORKING VOLTAGE: 250 V.AC [rms].
- WORKING TEMPERATURE: -55°C TO +125°C.
- CONTACT CURRENT RATING [MAXIMUM]: 7.5 AMPERES LIMITED AT CONTACT TERMINATION DIAMETER.
- INITIAL CONTACT RESISTANCE: 0.003 OHMS.

4. DIMENSIONS ARE IN INCHES [MILLIMETERS].

<p>POSITRONIC INDUSTRIES INC. www.connectpositronic.com</p>		SCALE	DRAWN BY
		N.T.S.	M. ENEA
DECIMAL TOL.	GAPL SERIES	APPROVED BY	
\pm 0.015 [0.38]	TITLE	GAPL26MOT0LB	
WF # 4344	DATE	DRAWING NUMBER	REV.
ANGULAR TOL.	2-11-02	SK4179	NC
\pm 5°			