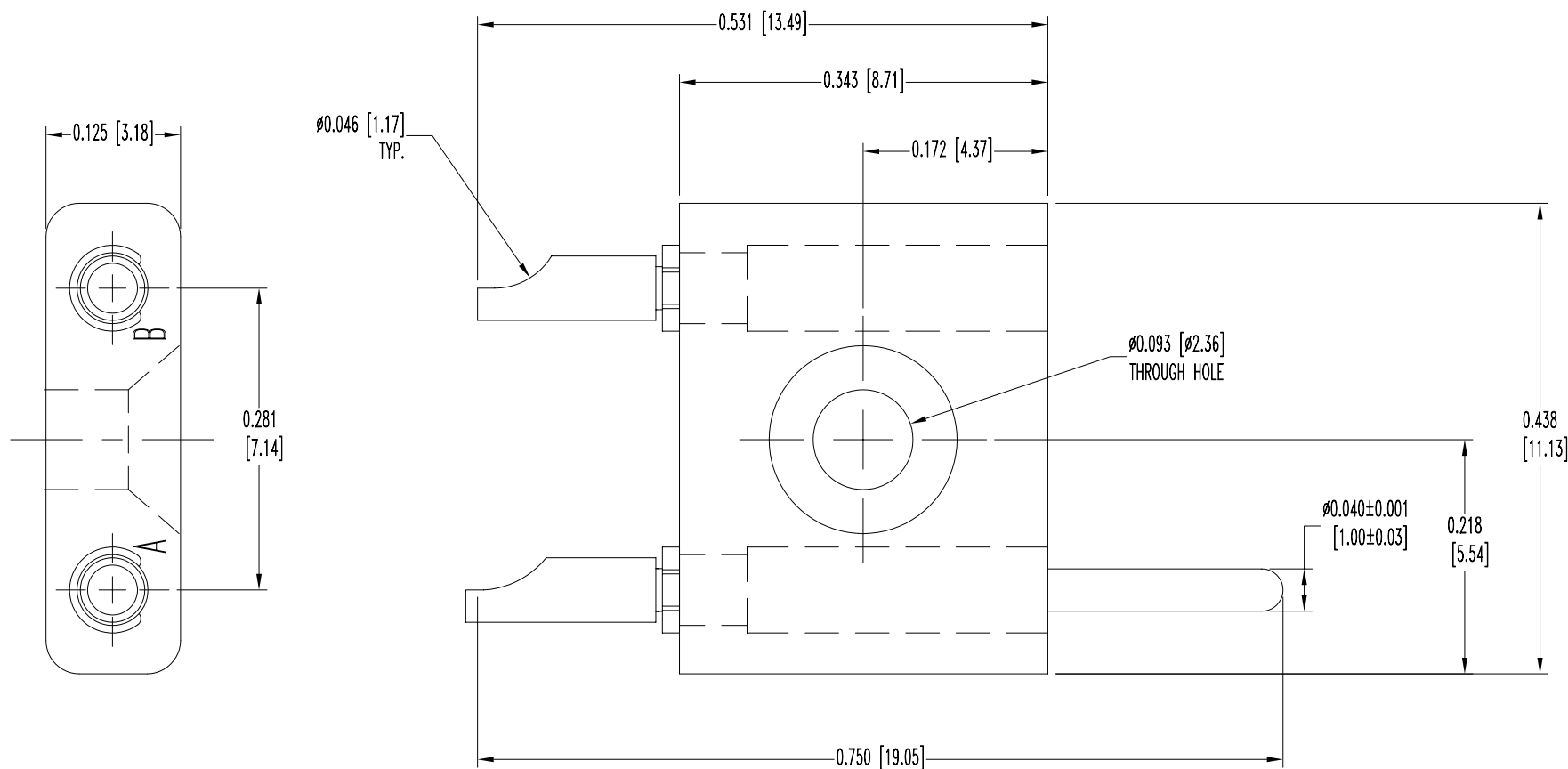


SK8813

POSITRONIC INDUSTRIES BELIEVES THE DATA ON THIS DRAWING TO BE RELIABLE, SINCE THE TECHNICAL INFORMATION IS GIVEN FREE OF CHARGE, THE USER EMPLOYS SUCH INFORMATION AT HIS OWN DISCRETION AND RISK. POSITRONIC INDUSTRIES ASSUMES NO RESPONSIBILITY FOR RESULTS OBTAINED OR DAMAGES INCURRED FROM USE OF SUCH INFORMATION IN WHOLE OR IN PART.

DATE	REV	REVISION RECORD	APP	DR	CK
8-3-07	NC	ECO 28265	RCW	YK	TK



NOTES:

- MATERIALS AND FINISHES:  
INSULATOR: GLASS-FILLED DAP PER ASTM-D-5948, TYPE SDG-F, COLOR GRAY.  
CONTACTS: COPPER ALLOY, 0.000010 [0.25 $\mu$ ] GOLD OVER NICKEL FINISH.
- ELECTRICAL CHARACTERISTICS:  
CONTACT CURRENT RATING: 7.5 AMPS, MAXIMUM.  
INITIAL CONTACT RESISTANCE: 0.010 OHMS, MAXIMUM.  
INSULATION RESISTANCE: 5 G OHMS, MINIMUM.  
TEMPERATURE RANGE: -55°C TO 125°C.
- CONNECTORS ARE ROHS COMPLIANT PER ROHS DIRECTIVE 2002/95/EC OF 27 JAN 2003.
- DIMENSIONS ARE IN INCHES [MILLIMETERS].

	<b>POSITRONIC INDUSTRIES INC.</b> www.connectpositronic.com		FSCM 28198
	GP SERIES	SCALE N.T.S.	DRAWN BY YK
DECIMAL TOL. $\pm 0.015$ [0.38]	APPROVED BY RCW		
ANGULAR TOL. $\pm 5^\circ$	TITLE GF1M1FBSC/AA		
DATE 8-3-07	DRAWING NUMBER SK8813	REV. NC	