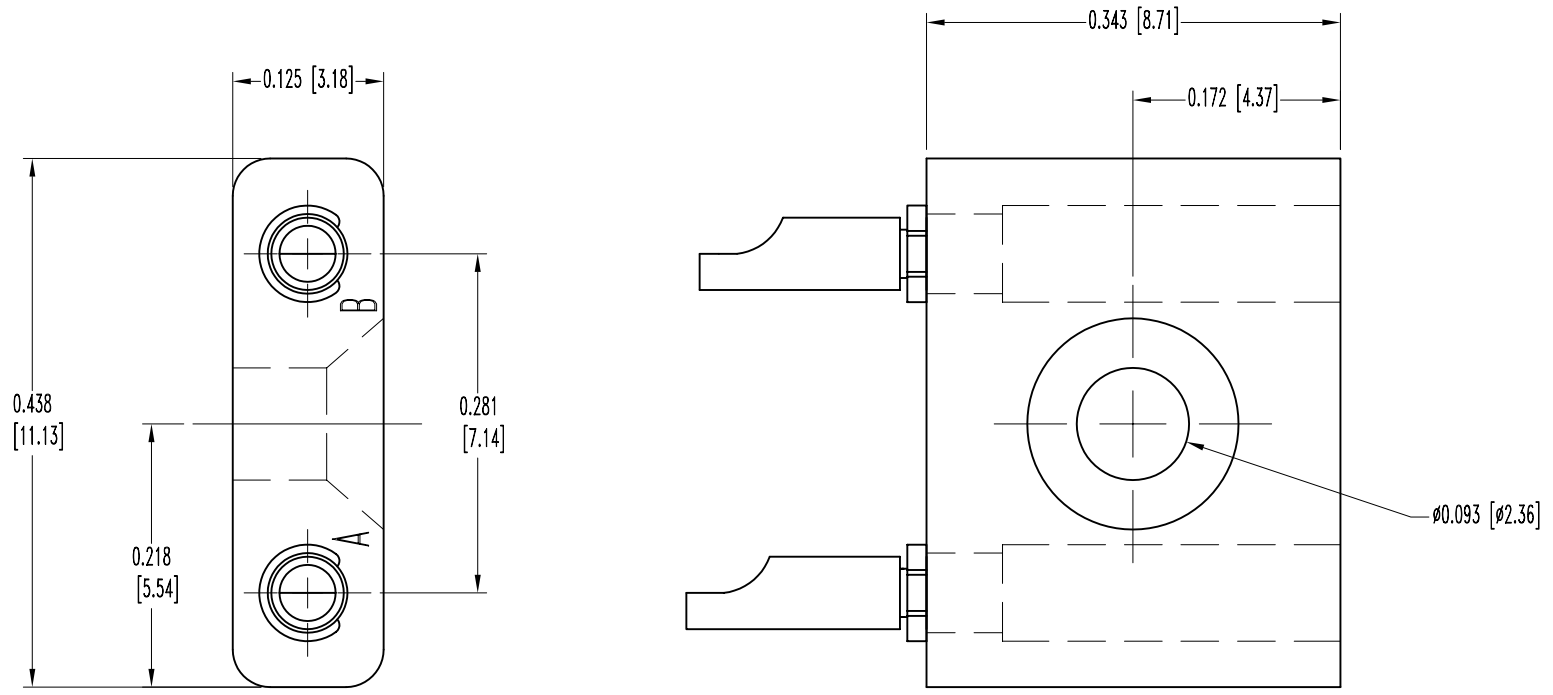


SK5371

POSITRONIC INDUSTRIES BELIEVES THE DATA ON THIS DRAWING TO BE RELIABLE. SINCE THE TECHNICAL INFORMATION IS GIVEN FREE OF CHARGE, THE USER EMPLOYS SUCH INFORMATION AT HIS OWN DISCRETION AND RISK. POSITRONIC INDUSTRIES ASSUMES NO RESPONSIBILITY FOR RESULTS OBTAINED OR DAMAGES INCURRED FROM USE OF SUCH INFORMATION IN WHOLE OR IN PART.

DATE	REV	REVISION RECORD	APP	DR	CK
3-25-04	NC	ECO 22209		ME	



NOTES:

- MATERIALS AND FINISHES:
 INSULATOR: GLASS-FILLED DAP PER ASTM-D-5948, TYPE SDG-F. GRAY COLOR.
 CONTACTS: COPPER ALLOY, 0.000010 [0.25 μ] GOLD OVER NICKEL.
- ELECTRICAL CHARACTERISTICS:
 CONTACT CURRENT RATING: 7.5 AMPS, MAXIMUM.
 INITIAL CONTACT RESISTANCE: 0.010 OHMS, MAXIMUM.
 INSULATION RESISTANCE: 5 G OHMS, MINIMUM.
 WORKING TEMPERATURE: -55°C TO 125°C.
- DIMENSIONS ARE IN INCHES [MILLIMETERS].

	POSITRONIC INDUSTRIES INC. www.connectpositronic.com	
	GP SERIES	SCALE N.T.S.
DECIMAL TOL. ± 0.015 [0.38]	DATE 3-25-04	DRAWING NUMBER SK5371
ANGULAR TOL. ± 5°	TITLE GF2F00SCL	DRAWN BY M. ENEA
		APPROVED BY
		REV. NC