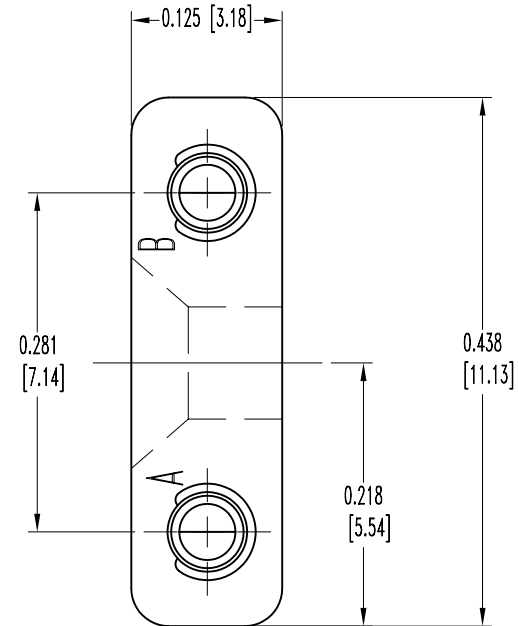
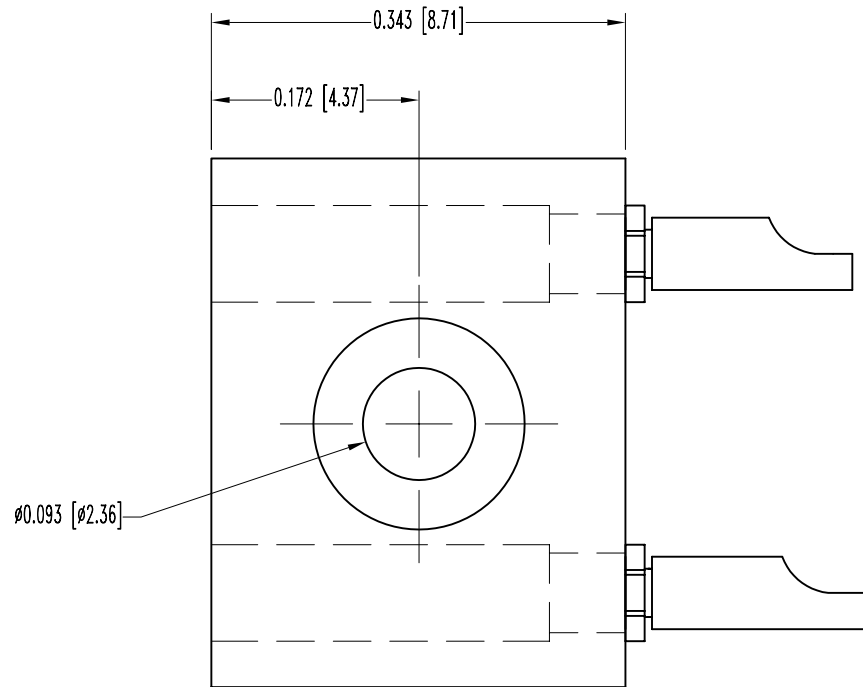


SK7124


POSITRONIC INDUSTRIES BELIEVES THE DATA ON THIS DRAWING TO BE RELIABLE. SINCE THE TECHNICAL INFORMATION IS GIVEN FREE OF CHARGE, THE USER EMPLOYS SUCH INFORMATION AT HIS OWN DISCRETION AND RISK. POSITRONIC INDUSTRIES ASSUMES NO RESPONSIBILITY FOR RESULTS OBTAINED OR DAMAGES INCURRED FROM USE OF SUCH INFORMATION IN WHOLE OR IN PART.

DATE	REV	REVISION RECORD	APP	DR	CK
3-3-06	NC	ECO 25596		YK	



NOTES:

- MATERIALS AND FINISHES:
 INSULATOR: GLASS-FILLED DAP PER ASTM-D-5948, TYPE SDG-F. GRAY COLOR.
 CONTACTS: COPPER ALLOY, GOLD FLASH OVER NICKEL PLATE.
 SPRING CLIPS: PHOSPHOR BRONZE, GOLD FLASH OVER NICKEL PLATE.
- ELECTRICAL CHARACTERISTICS:
 CONTACT CURRENT RATING: 7.5 AMPS, MAXIMUM.
 INITIAL CONTACT RESISTANCE: 0.010 OHMS, MAXIMUM.
 INSULATION RESISTANCE: 5 G OHMS, MINIMUM.
 WORKING VOLTAGE: 300 VAC (rms).
- WORKING TEMPERATURE: -55°C TO 125°C.
- CONNECTORS ARE ROHS COMPLIANT PER ROHS DIRECTIVE 2002/95/EC OF 27 JAN 2003.
- DIMENSIONS ARE IN INCHES [MILLIMETERS].

 POSITRONIC INDUSTRIES INC. www.connectpositronic.com		SCALE		DRAWN BY	
DECIMAL TOL. ± 0.015 [0.38]		GF SERIES		N.T.S.	
ANGULAR TOL. ± 5°		DATE		REV.	
		3-3-06		NC	
TITLE		DRAWING NUMBER		APPROVED BY	
GF2F00SCRCE/AA		SK7124		YK	