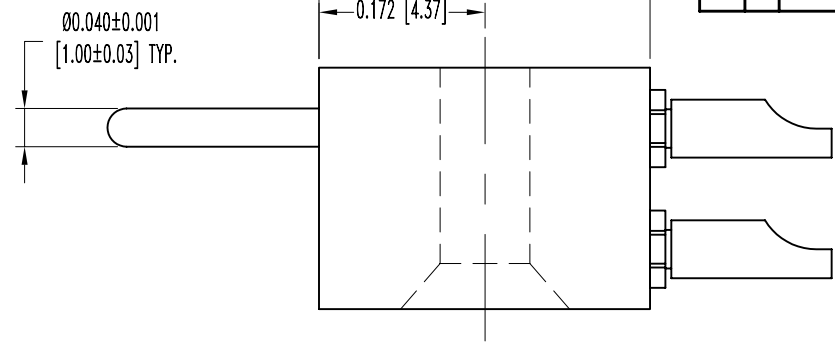
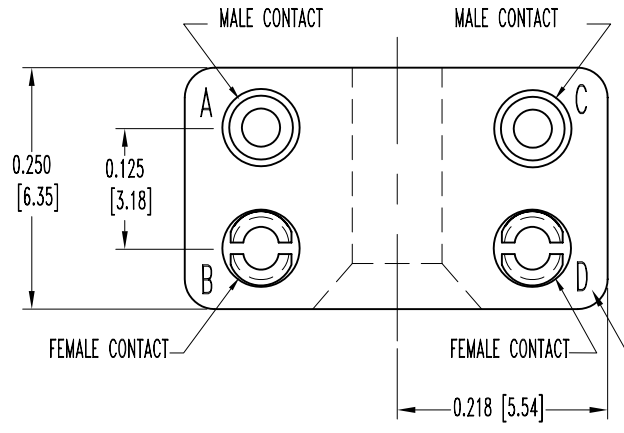


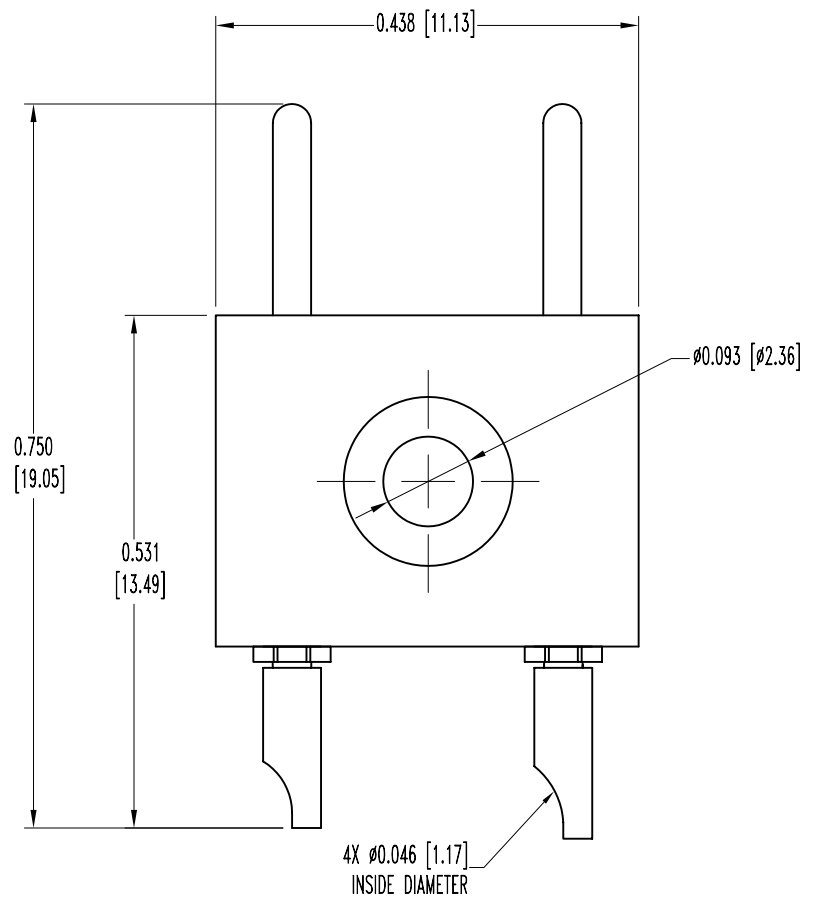
SK5726

POSITRONIC INDUSTRIES BELIEVES THE DATA ON THIS DRAWING TO BE RELIABLE. SINCE THE TECHNICAL INFORMATION IS GIVEN FREE OF CHARGE, THE USER EMPLOYS SUCH INFORMATION AT HIS OWN DISCRETION AND RISK. POSITRONIC INDUSTRIES ASSUMES NO RESPONSIBILITY FOR RESULTS OBTAINED OR DAMAGES INCURRED FROM USE OF SUCH INFORMATION IN WHOLE OR IN PART.

DATE	REV	REVISION RECORD	APP	DR	CK
10-12-04	NC	ECO 23124		ME	



LETTERS FOR REFERENCE ONLY



NOTES:

- MATERIALS AND FINISHES:  
INSULATOR: GLASS-FILLED DAP PER ASTM-D-5948, TYPE SDG-F, COLOR GRAY.  
CONTACTS: COPPER ALLOY, GOLD FLASH OVER NICKEL PLATE.
- ELECTRICAL CHARACTERISTICS:  
CONTACT CURRENT RATING: 7.5 AMPS, MAXIMUM.  
INITIAL CONTACT RESISTANCE: 0.010 OHMS, MAXIMUM.  
INSULATION RESISTANCE: 5 G OHMS, MINIMUM.  
WORKING VOLTAGE: 300 VAC [rms].
- TEMPERATURE RANGE: -55°C TO +125°C.
- DIMENSIONS ARE IN INCHES [MILLIMETERS].

	<b>POSITRONIC INDUSTRIES INC.</b> www.connectpositronic.com			
	GP SERIES	SCALE N.T.S.	DRAWN BY M. ENEA	
DECIMAL TOL. ± 0.015 [0.38]	TITLE GF2M2FBDSCR			
ANGULAR TOL. ± 5°	DATE 10-12-04	DRAWING NUMBER SK5726	REV. NC	