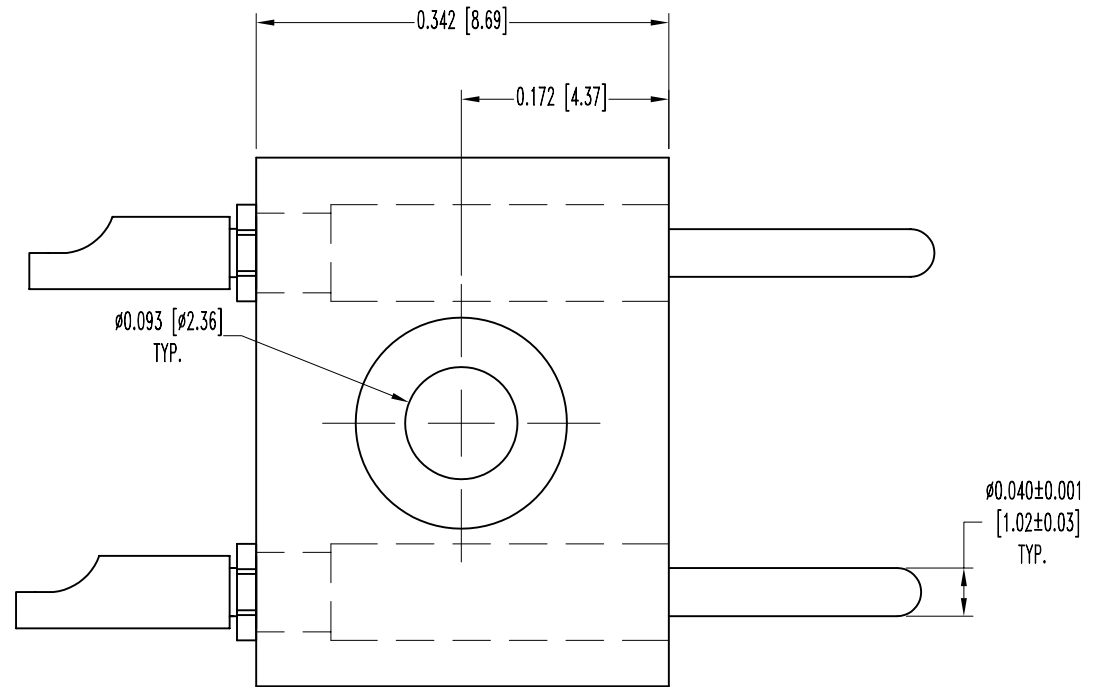
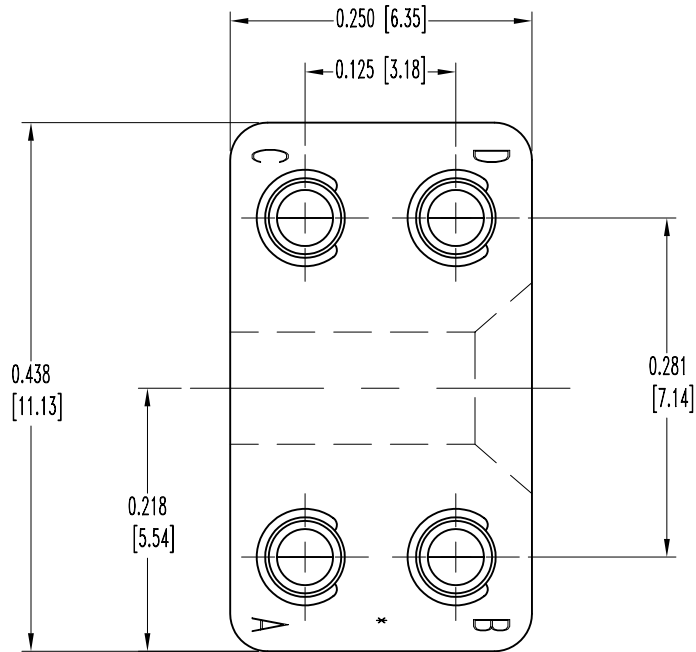


SK5635

POSITRONIC INDUSTRIES BELIEVES THE DATA ON THIS DRAWING TO BE RELIABLE. SINCE THE TECHNICAL INFORMATION IS GIVEN FREE OF CHARGE, THE USER EMPLOYS SUCH INFORMATION AT HIS OWN DISCRETION AND RISK. POSITRONIC INDUSTRIES ASSUMES NO RESPONSIBILITY FOR RESULTS OBTAINED OR DAMAGES INCURRED FROM USE OF SUCH INFORMATION IN WHOLE OR IN PART.

DATE	REV	REVISION RECORD	APP	DR	CK
8-26 04	NC	ECO 22921		YK	



NOTES:

- MATERIALS AND FINISHES:
INSULATOR: GLASS-FILLED DAP PER ASTM-D-5948, TYPE SDG-F, GRAY COLOR.
CONTACTS: COPPER ALLOY, GOLD FLASH OVER NICKEL.
- ELECTRICAL CHARACTERISTICS:
CONTACT CURRENT RATING: 7.5 AMPS, MAXIMUM.
INITIAL CONTACT RESISTANCE: 0.010 OHMS, MAXIMUM.
INSULATION RESISTANCE: 5 G OHMS, MINIMUM.
WORKING VOLTAGE: 300 VAC (rms).
- WORKING TEMPERATURE: -55°C TO +125°C.
- DIMENSIONS ARE IN INCHES [MILLIMETERS].

		POSITRONIC INDUSTRIES INC. www.connectpositronic.com	
		DECIMAL TOL. ± 0.015 [0.38]	TITLE GF4M00SCL
ANGULAR TOL. $\pm 5^\circ$	DATE 8-26-04	DRAWING NUMBER SK5635	SCALE N.T.S.
		DRAWN BY YK	APPROVED BY
		REV.	NC