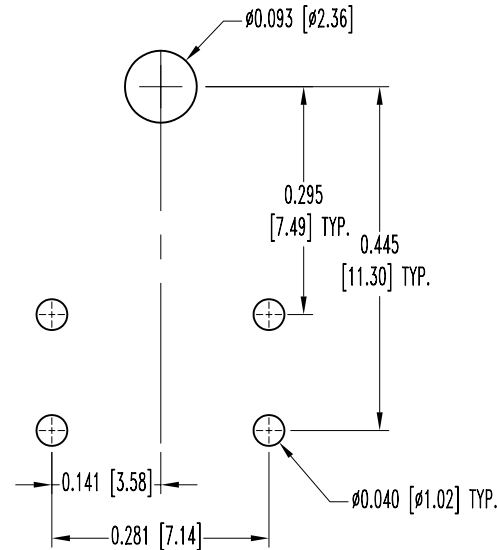
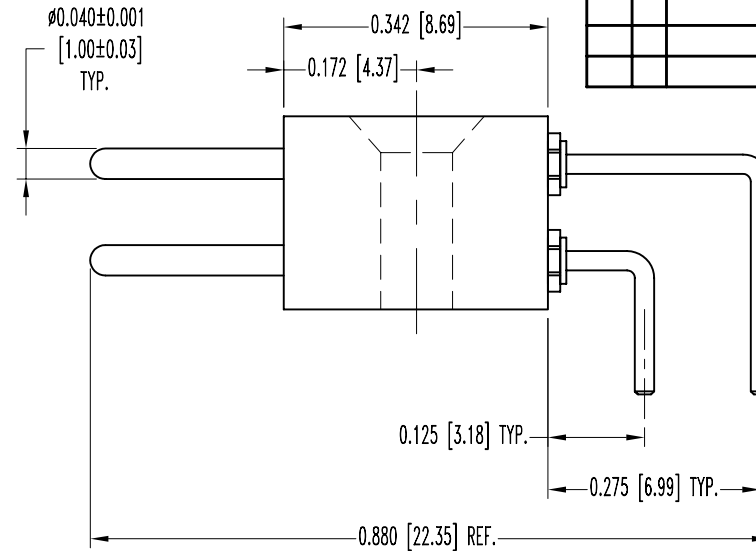
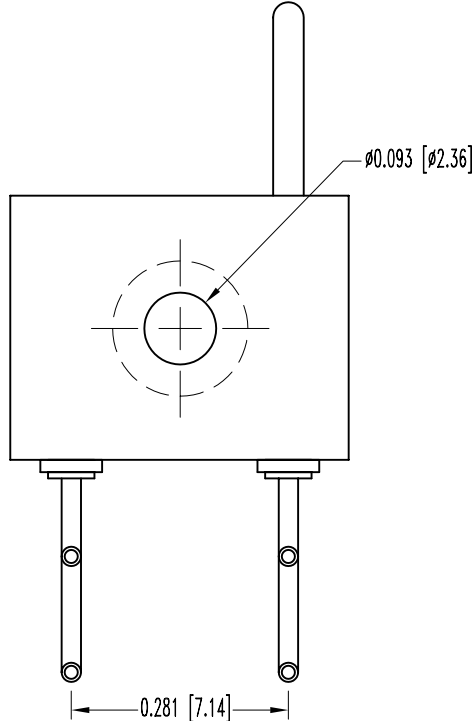
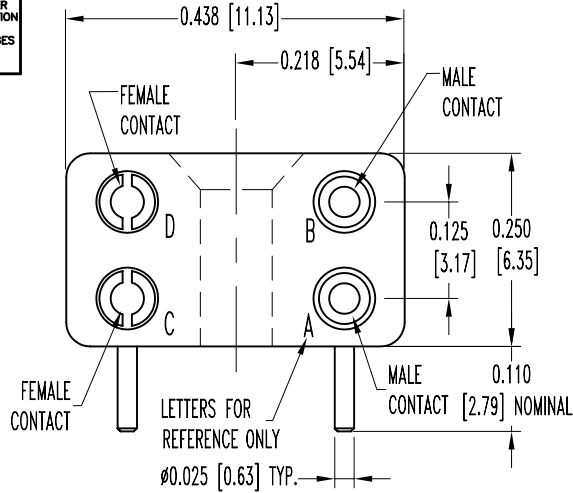


SK5499

POSITRONIC INDUSTRIES BELIEVES THE DATA ON THIS DRAWING TO BE RELIABLE. SINCE THE TECHNICAL INFORMATION IS GIVEN FREE OF CHARGE, THE USER EMPLOYS SUCH INFORMATION AT HIS OWN DISCRETION AND RISK. POSITRONIC INDUSTRIES ASSUMES NO RESPONSIBILITY FOR RESULTS OBTAINED OR DAMAGES INCURRED FROM USE OF SUCH INFORMATION IN WHOLE OR IN PART.

DATE	REV	REVISION RECORD	APP	DR	CK
6-11-04	NC	ECO 22536		ME	



NOTES:

- MATERIALS AND FINISHES:
INSULATOR: GLASS-FILLED DAP PER MIL-M-14, TYPE SDG-F, COLOR GRAY.
CONTACTS: COPPER ALLOY, GOLD FLASH OVER NICKEL.
- ELECTRICAL CHARACTERISTICS:
CONTACT CURRENT RATING: 7.5 AMPS, MAXIMUM.
INITIAL CONTACT RESISTANCE: 0.010 OHMS, MAXIMUM.
INSULATION RESISTANCE: 5 G OHMS, MINIMUM.
- TEMPERATURE RANGE: -55°C TO +125°C.
- DIMENSIONS ARE IN INCHES [MILLIMETERS].

		POSITRONIC INDUSTRIES INC. www.connectpositronic.com	
		GFPL SERIES	SCALE N.T.S.
DECIMAL TOL. ± 0.015 [0.38]	TITLE GFPL2M2FCDOH		
ANGULAR TOL. ± 5°	DATE 6-11-04	DRAWING NUMBER SK5499	REV. NC