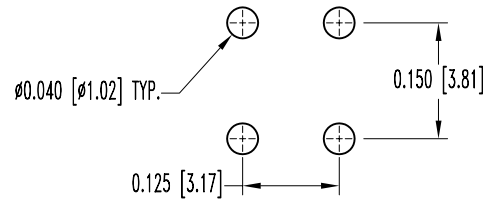
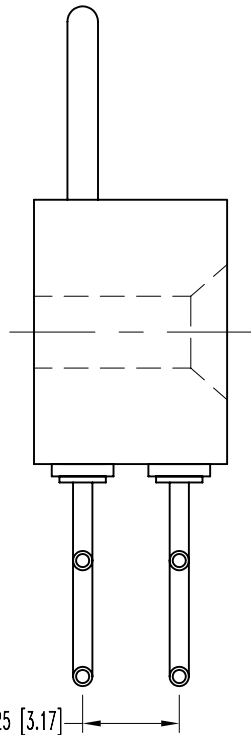
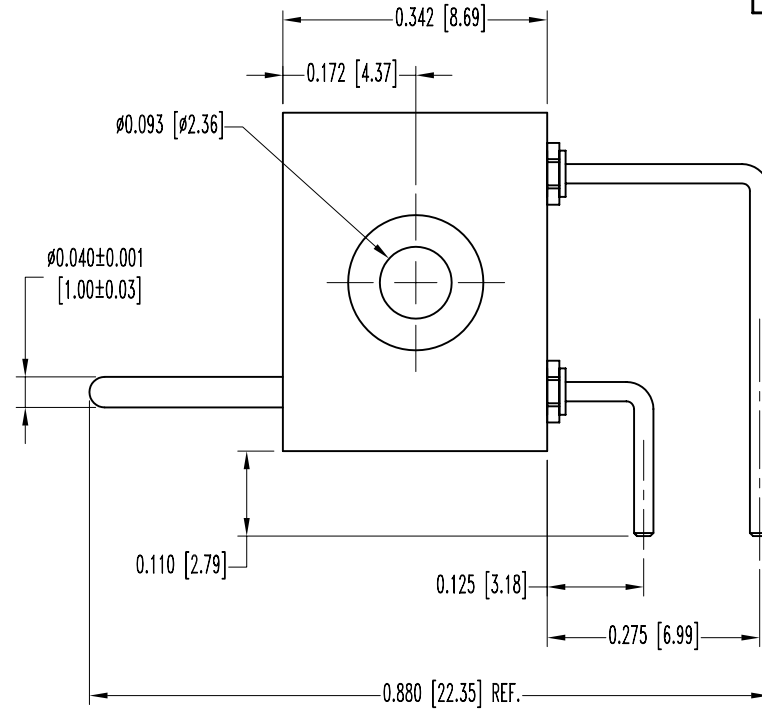
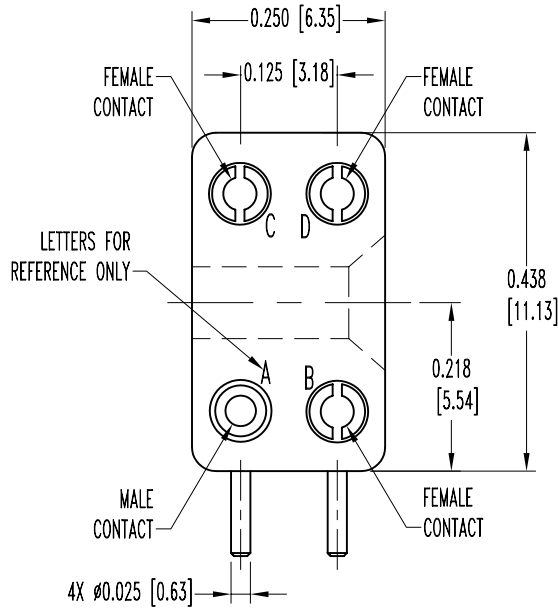


POSITRONIC INDUSTRIES BELIEVES THE DATA ON THIS DRAWING TO BE RELIABLE. SINCE THE TECHNICAL INFORMATION IS GIVEN FREE OF CHARGE, THE USER EMPLOYS SUCH INFORMATION AT HIS OWN DISCRETION AND RISK. POSITRONIC INDUSTRIES ASSUMES NO RESPONSIBILITY FOR RESULTS OBTAINED OR DAMAGES INCURRED FROM USE OF SUCH INFORMATION IN WHOLE OR IN PART.

DATE	REV	REVISION RECORD	APP	DR	CK
10-16-06	NC	ECO 26864		ME	



HOLE PATTERN

NOTES:

- MATERIALS AND FINISHES:
INSULATOR: GLASS-FILLED DAP PER MIL-M-14, TYPE SDG-F, COLOR GRAY.
CONTACTS: COPPER ALLOY, GOLD FLASH OVER NICKEL FINISH.
- ELECTRICAL CHARACTERISTICS:
CONTACT CURRENT RATING: 7.5 AMPS, MAXIMUM.
INITIAL CONTACT RESISTANCE: 0.010 OHMS, MAXIMUM.
INSULATION RESISTANCE: 5 G OHMS, MINIMUM.
- TEMPERATURE RANGE: -55°C TO +125°C.
- DIMENSIONS ARE IN INCHES [MILLIMETERS].

 POSITRONIC INDUSTRIES INC. www.connectpositronic.com		GPL SERIES		SCALE N.T.S.	DRAWN BY M. ENEA
DECIMAL TOL. ± 0.015 [0.38]	TITLE GPL3F1MA0RV				
ANGULAR TOL. ± 5°	DATE 10-16-06	DRAWING NUMBER SK8060	REV. NC		