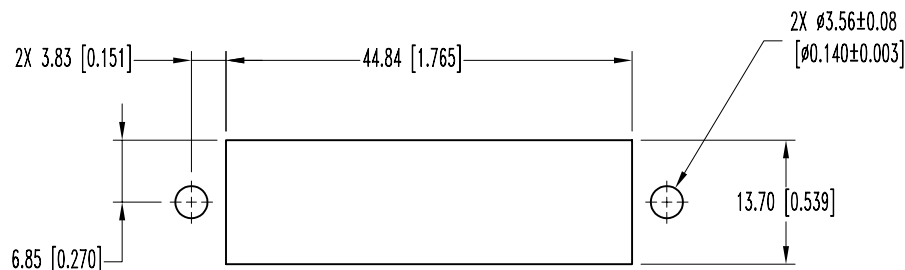
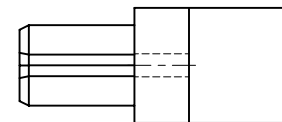
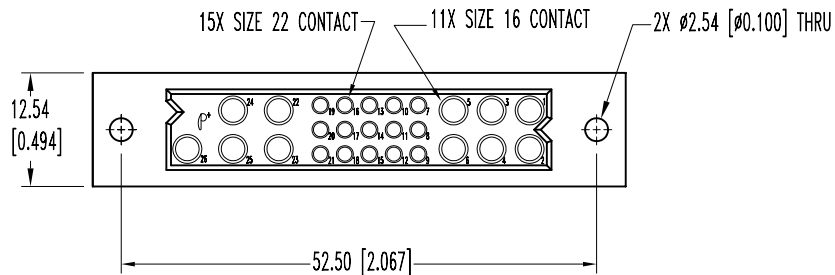
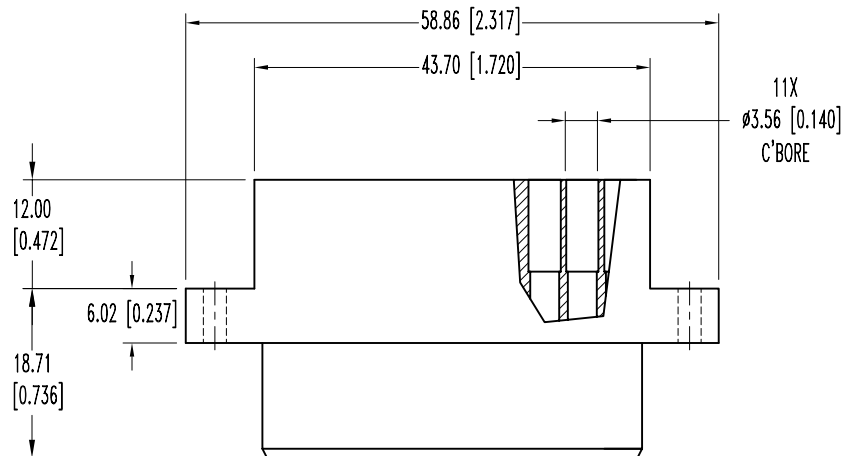


SK5994

POSITRONIC INDUSTRIES BELIEVES THE DATA ON THIS DRAWING TO BE RELIABLE. SINCE THE TECHNICAL INFORMATION IS GIVEN FREE OF CHARGE, THE USER EMPLOYS SUCH INFORMATION AT HIS OWN DISCRETION AND RISK. POSITRONIC INDUSTRIES ASSUMES NO RESPONSIBILITY FOR RESULTS OBTAINED OR DAMAGES INCURRED FROM USE OF SUCH INFORMATION IN WHOLE OR IN PART.

DATE	REV	REVISION RECORD	APP	DR	CK
2-14-05	NC	ECO 23690	TK	YK	TK
3-28-08	NC	ECO 25710		YK	



PANEL CUTOUT

NOTES:

1. MATERIALS AND FINISHES:

INSULATOR: GLASS FILLED POLYESTER, UL 94V-0. COLOR: BLUE.  
 SIZE 16 & 22 CONTACTS: PRECISION MACHINED COPPER ALLOY WITH GOLD FLASH OVER NICKEL.

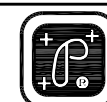
2. ELECTRICAL CHARACTERISTICS:

CREEPAGE AND CLEARANCE DISTANCE; MINIMUM:  
 CONTACT 22 TO SIGNAL CONTACT: 2.0 [0.79].  
 INSULATION RESISTANCE: 5 G OHMS PER IEC 512-2, TEST 3a.  
 WORKING TEMPERATURE: -55°C TO +125°C.

3. CONTACTS CALLED OUT FOR REFERENCE ONLY.

CONTACTS ORDERED SEPARATELY.  
 USE FC422N7 CONTACTS FOR SIZE 22 CONTACTS, SEE TABLE FOR SIZE 16 CONTACTS.

4. DIMENSIONS ARE IN MILLIMETERS [INCHES].



**POSITRONIC INDUSTRIES INC.**  
 www.connectpositronic.com

PART NUMBER	WIRE SIZE mm <sup>2</sup> / [awg]
FC112N2S-1565.0	4.0/[12]
FC114N2-1565.0	2.5-1.5/[14-16]
FC116N2-1565.0	1.5-1.0/[16-18]

DECIMAL TOL. ±0.38 [0.015]	PCIB SERIES	SCALE N.T.S.	DRAWN BY YK
	TITLE <b>PCIB26W11F8000</b>		
ANGULAR TOL. ±5°	DATE 2-14-05	DRAWING NUMBER SK5994	REV. A