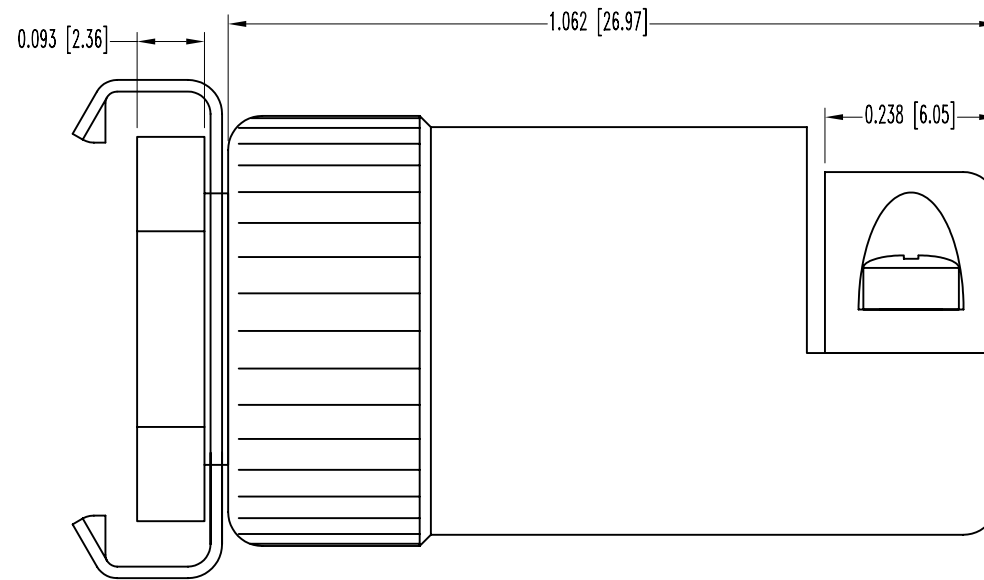
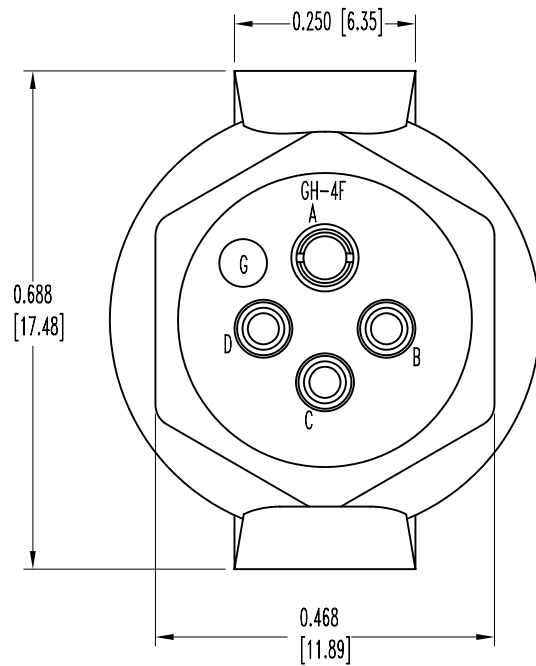


SK7204

POSITRONIC INDUSTRIES BELIEVES THE DATA ON THIS DRAWING TO BE RELIABLE, SINCE THE TECHNICAL INFORMATION IS GIVEN FREE OF CHARGE. THE USER EMPLOYS SUCH INFORMATION AT HIS OWN DISCRETION AND RISK. POSITRONIC INDUSTRIES ASSUMES NO RESPONSIBILITY FOR RESULTS OBTAINED OR DAMAGES INCURRED FROM USE OF SUCH INFORMATION IN WHOLE OR IN PART.

DATE	REV	REVISION RECORD	APP	DR	CK
3-23-06	NC	ECO 25680		ME	



NOTES:

- MATERIAL:
 INSULATOR: GLASS FILLED DAP PER ASTM-D-5948, TYPE SDG-F, GREY COLOR.
 FIXED CONTACTS: COPPER ALLOY, GOLD FLASH OVER NICKEL.
 HOOD: ALUMINIUM WITH YELLOW ANODIZE.
 LOCKSPRING: PHOSPHOR BRONZE, ZINC PLATE WITH CHROMATE SEAL.
- ELECTICAL CHARACTERISTICS:
 CONTACT CURRENT RATING: 7.5 AMPS, MAXIMUM.
 INITIAL CONTACT RESISTANCE: 0.010 OHMS, MAXIMUM.
 INSULATION RESISTANCE: 5 G OHMS.
 WORKING VOLTAGE: 300 VAC (RMS).
- TEMPERATURE RANGE: -55° TO +125°.
- CONNECTORS ARE ROHS COMPLIANT PER ROHS DIRECTIVE 2002/95/EC OF 27 JAN. 2003.
- DIMENSIONS ARE IN INCHES [MILLIMETERS].

 POSITRONIC INDUSTRIES INC. www.connectpositronic.com		SCALE N.T.S.		DRAWN BY M. ENEA	
DECIMAL TOL. ± 0.015 [0.13]		GH SERIES		APPROVED BY	
ANGULAR TOL. ± 5°		TITLE GH4FSCLSH14CE/AA			
DATE 3-23-06		DRAWING NUMBER SK7204		REV. NC	