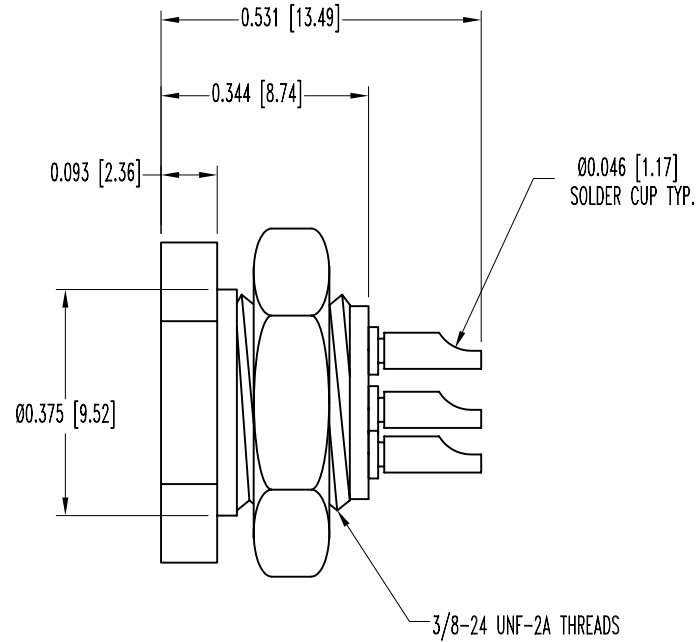
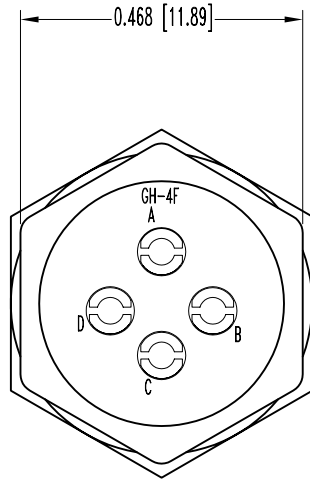


SK7910

POSITRONIC INDUSTRIES BELIEVES THE DATA ON THIS DRAWING TO BE RELIABLE. SINCE THE TECHNICAL INFORMATION IS GIVEN FREE OF CHARGE, THE USER EMPLOYS SUCH INFORMATION AT HIS OWN DISCRETION AND RISK. POSITRONIC INDUSTRIES ASSUMES NO RESPONSIBILITY FOR RESULTS OBTAINED OR DAMAGES INCURRED FROM USE OF SUCH INFORMATION IN WHOLE OR IN PART.

DATE	REV	REVISION RECORD	APP	DR	CK
8-25-06	NC	ECO 26572		YK	



NOTES:

- MATERIALS AND FINISHES:  
 INSULATOR: GLASS-FILLED DAP PER ASTM-D-5948, TYPE SDG-F, GREY COLOR.  
 CONTACTS: COPPER ALLOY, GOLD FLASH OVER NICKEL PLATE.  
 HEX NUT: BRASS, ZINC PLATE WITH CHROMATE SEAL.
- ELECTRICAL CHARACTERISTICS:  
 CONTACT CURRENT RATING: 7.5 AMPERES, MAXIMUM.  
 INITIAL CONTACT RESISTANCE: 0.010 OHMS, MAXIMUM.  
 INSULATION RESISTANCE: 5 G OHMS.  
 WORKING VOLTAGE: 300 VAC (rms).
- TEMPERATURE RANGE: -55°C TO +125° C.
- CONNECTORS ARE ROHS COMPLIANT PER ROHS DIRECTIVE 2002/95/EC OF 27 JNA 2003.
- DIMENSIONS ARE IN INCHES [MILLIMETERS].

 <b>POSITRONIC INDUSTRIES INC.</b> www.connectpositronic.com		SCALE N.T.S.		DRAWN BY YK	
DECIMAL TOL. ± 0.015 [0.38]		GH SERIES		APPROVED BY	
TITLE GH4FSCNOCE/AA					
ANGULAR TOL. ± 5°		DATE 8-25-06		DRAWING NUMBER SK7910	
					REV. NC