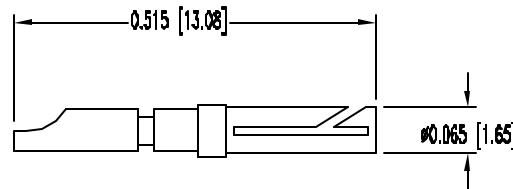
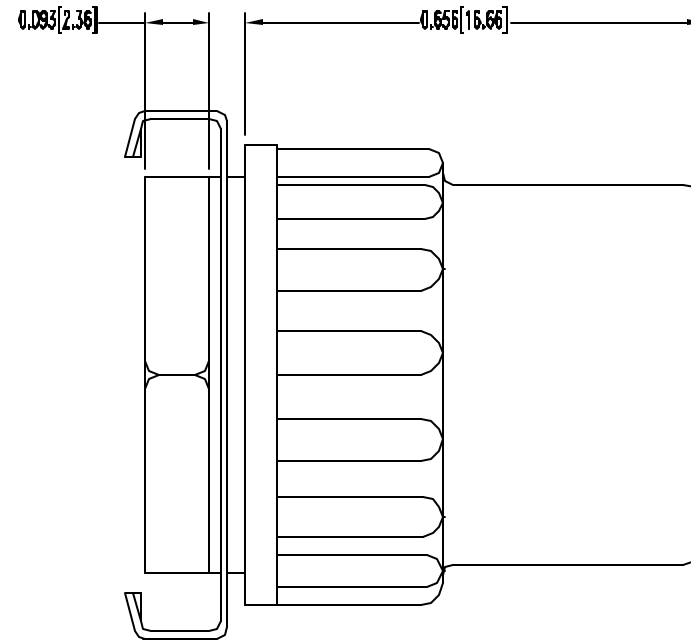
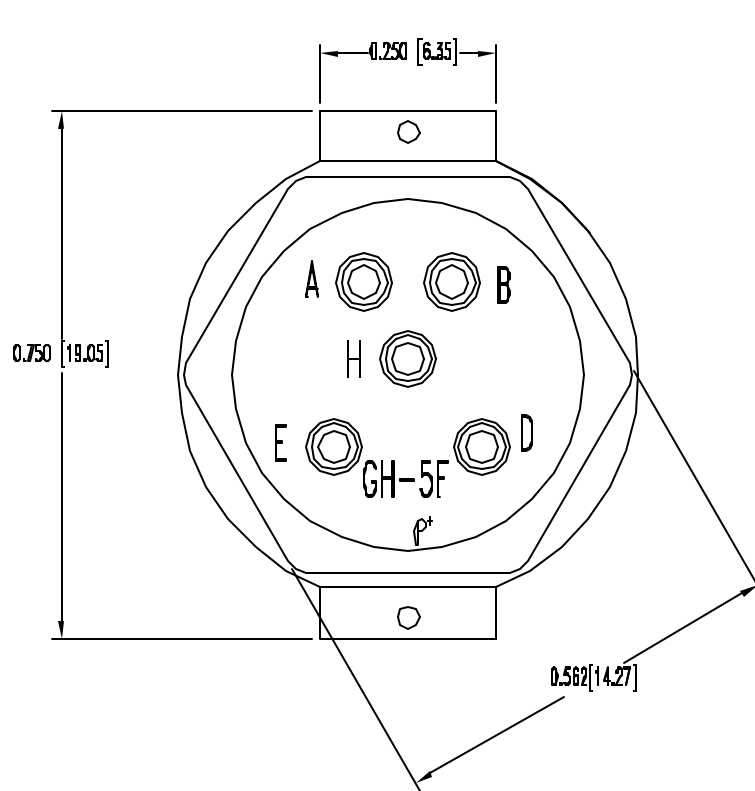


POSITRONIC INDUSTRIES BELIEVES THE DATA ON THIS DRAWING TO BE RELIABLE, SINCE THE TECHNICAL INFORMATION IS GIVEN FREE OF CHARGE, THE USER EMPLOYS SUCH INFORMATION AT HIS OWN DISCRETION AND POSIC, POSITRONIC INDUSTRIES ASSUMES NO RESPONSIBILITY FOR RESULTS OBTAINED OR DAMAGES INCURRED FROM USE OF SUCH INFORMATION IN WHOLE OR IN PART.

SK3973

DATE	REV	REVISION RECORD	APP	DR	CK
10-18-01	NC	ECO 18468		YK	



CLOSED ENTRY  
SOLDER CUP CONTACT

NOTES:

- MATERIAL:  
INSULATOR: GLASS FILLED DAP PER ASTM-D-5948, GREY  
FIXED CONTACTS: COPPER ALLOY, GOLD FLASH OVER NICKEL  
HOOD: DIALYL PHTHALATE PER ASTM-D-5948, GREY COLOR  
SPRING CLIP: PHOSPHOR BRONZE, GOLD FLASH OVER NICKEL
- ELECTICAL CHARACTERISTICS:  
CONTACT CURRENT RATING: 7.5 AMPS, MAXIMUM.  
INITIAL CONTACT RESISTANCE: 0.010 OHMS, MAXIMUM.  
INSULATION RESISTANCE: 5 G OHMS.  
WORKING VOLTAGE: 300 VAC (RMS).
- DIMENSIONS ARE IN INCHES [MILLIMETERS].

		<b>POSITRONIC INDUSTRIES INC.</b> www.connectpositronic.com	
		GH SERIES	SCALE N.T.S.
DECIMAL TOL. $\pm 0.015 [0.13]$	TITLE <b>GH5FSCLSH19S-CE</b>		
WT #4076	DATE 10-18-01	DRAWING NUMBER SK3973	REV. NC