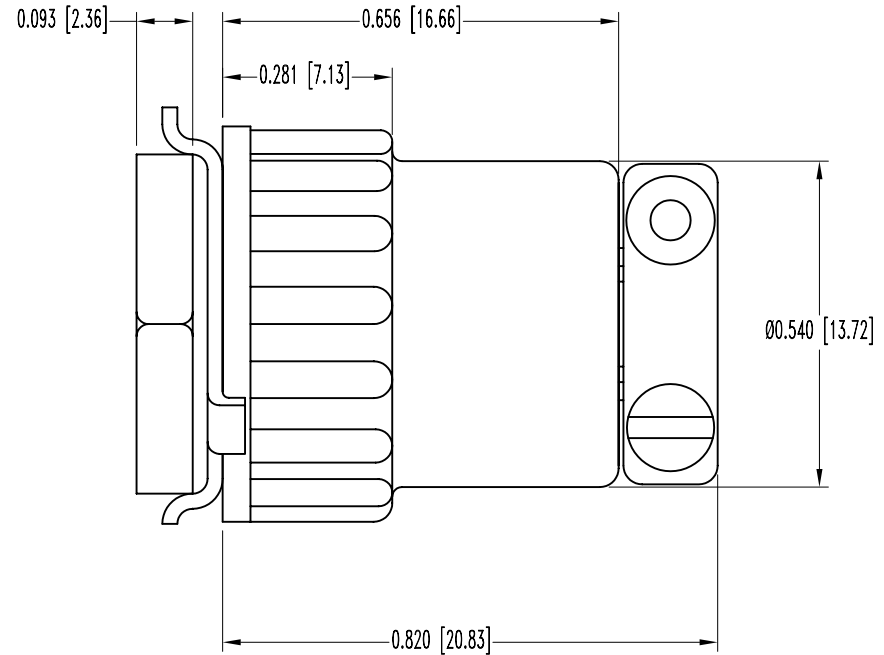
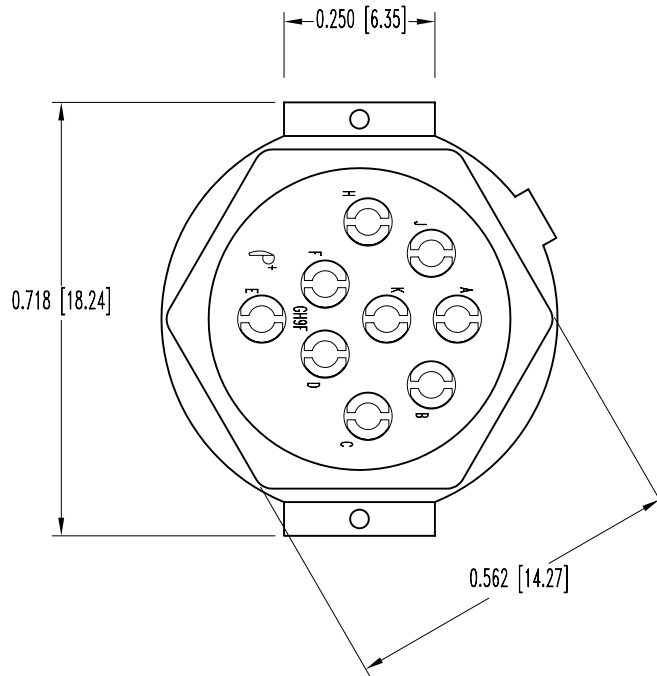


SK7928

POSITRONIC INDUSTRIES BELIEVES THE DATA ON THIS DRAWING TO BE RELIABLE. SINCE THE TECHNICAL INFORMATION IS GIVEN FREE OF CHARGE, THE USER EMPLOYS SUCH INFORMATION AT HIS OWN DISCRETION AND RISK. POSITRONIC INDUSTRIES ASSUMES NO RESPONSIBILITY FOR RESULTS OBTAINED OR DAMAGES INCURRED FROM USE OF SUCH INFORMATION IN WHOLE OR IN PART.

DATE	REV	REVISION RECORD	APP	DR	CK
8-30-06	NC	ECO 26590		YK	



NOTES:

1. MATERIAL:

- INSULATOR: GLASS FILLED DAP PER ASTM-D-5948, TYPE SDG-F, COLOR GREY.
- CONTACTS: COPPER ALLOY, GOLD FLASH OVER NICKEL.
- HOOD: GLASS FILLED DAP PER ASTM-D-5948, TYPE SDG-F.
- LOCKING RING: COPPER ALLOY, ZINC PLATE, WITH CHROMATE SEAL.
- SCREW: BRASS, ZINC PLATE WITH CHROMATE SEAL.
- CABLE CLAMP: ALUMINUM ALLOY, YELLOW ANODIZE.

2. ELECTRICAL CHARACTERISTICS:

- CONTACT CURRENT RATING: 7.5 AMPS, MAXIMUM.
- INITIAL CONTACT RESISTANCE: 0.010 OHMS, MAXIMUM.
- INSULATION RESISTANCE: 5 G OHMS.
- WORKING VOLTAGE: 300 VAC (rms).

3. WORKING TEMPERATURE: -55°C TO +125°C.

4. CONNECTORS ARE ROHS COMPLIANT PER ROHS DIRECTIVE 2002/95/EC OF 27 JAN 2003.

5. DIMENSIONS ARE IN INCHES [MILLIMETERS].

		POSITRONIC INDUSTRIES INC. www.connectpositronic.com	
		DECIMAL TOL. $\pm 0.015 [0.13]$	GH SERIES
ANGULAR TOL. $\pm 5^\circ$		TITLE GH9FSCLRH19C/AA	
DATE 8-30-06		DRAWING NUMBER SK7928	
		REV. NC	