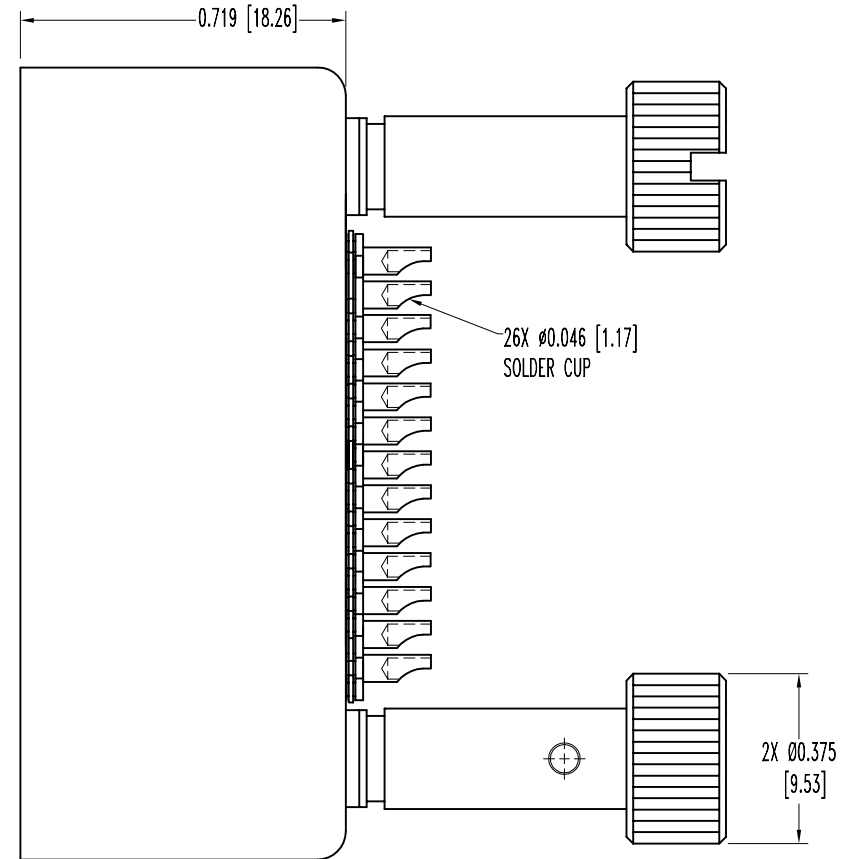
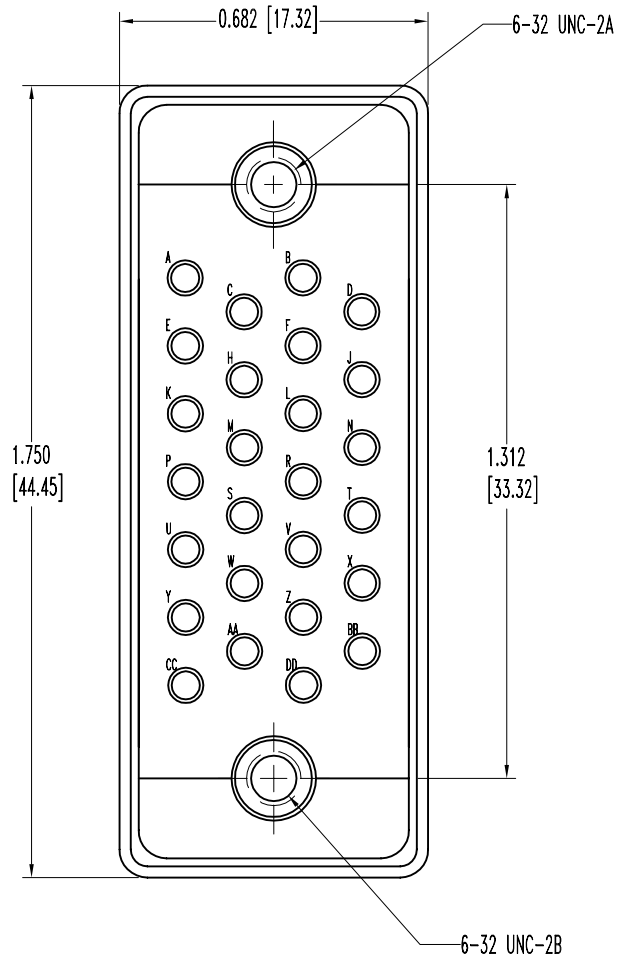


SK4181

POSITRONIC INDUSTRIES BELIEVES THE DATA ON THIS DRAWING TO BE RELIABLE. SINCE THE TECHNICAL INFORMATION IS GIVEN FREE OF CHARGE, THE USER EMPLOYS SUCH INFORMATION AT HIS OWN DISCRETION AND RISK. POSITRONIC INDUSTRIES ASSUMES NO RESPONSIBILITY FOR RESULTS OBTAINED OR DAMAGES INCURRED FROM USE OF SUCH INFORMATION IN WHOLE OR IN PART.

DATE	REV	REVISION RECORD	APP	DR	CK
2-11-02	NC	ECO 18981		ME	



NOTES:

1. MATERIALS AND FINISHES:

- INSULATOR: GLASS FILLED DAP PER ASTM-D-5948 TYPE SDG-F. COLOR GREY.
- CONTACTS: COPPER ALLOY, GOLD FLASH OVER NICKEL.
- JACKSCREWS: STAINLESS STEEL, PASSIVATED.
- KNOBS: ALUMINUM WITH YELLOW ANODIZE.
- SHELL: ALUMINUM WITH YELLOW ANODIZE.

2. ELECTRICAL CHARACTERISTICS:

- CONTACT CURRENT RATING: 7.5 AMPS MAXIMUM.
- INITIAL CONTACT RESISTANCE: 0.010 OHMS MAXIMUM.
- INSULATION RESISTANCE: 5G OHMS MINIMUM.
- WORKING TEMPERATURE: -55°C TO 125°C.

3. DIMENSIONS ARE IN INCHES [MILLIMETERS].

		POSITRONIC INDUSTRIES INC. www.connectpositronic.com	
		DECIMAL TOL. ± 0.015 [0.38]	SCALE N.T.S.
ANGULAR TOL. $\pm 5^\circ$	DATE 2-11-02	DRAWING NUMBER SK4181	REV. NC
GM SERIES		TITLE GM26FSCEP000	