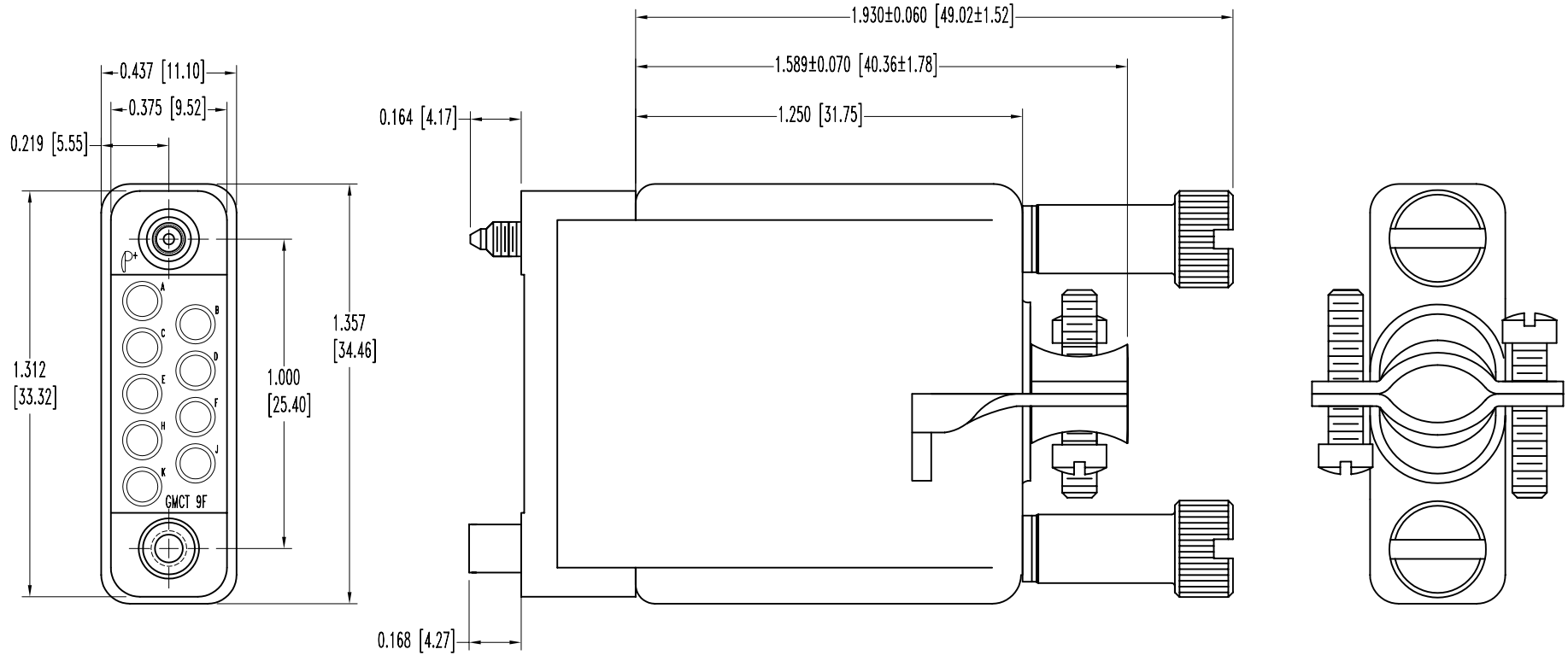


SK5530

POSITRONIC INDUSTRIES BELIEVES THE DATA ON THIS DRAWING TO BE RELIABLE. SINCE THE TECHNICAL INFORMATION IS GIVEN FREE OF CHARGE, THE USER EMPLOYS SUCH INFORMATION AT HIS OWN DISCRETION AND RISK. POSITRONIC INDUSTRIES ASSUMES NO RESPONSIBILITY FOR RESULTS OBTAINED OR DAMAGES INCURRED FROM USE OF SUCH INFORMATION IN WHOLE OR IN PART.

DATE	REV	REVISION RECORD	APP	DR	CK
7-13-04	NC	ECO 22684		YK	



NOTES:

- MATERIALS AND FINISHES:
 INSULATOR: GLASS FILLED DAP PER ASTM-D-5948 TYPE SDG-F, GREY COLOR.
 JACKSCREWS: STAINLESS STEEL, PASSIVATED.
 HOOD: ALUMINUM, YELLOW ANODIZE.
 SLEEVES AND KNOBS: ALUMINUM, YELLOW ANODIZE.
 CABLE CLAMPS: ALUMINUM, YELLOW ANODIZE.
 SET SCREW: STAINLESS STEEL, NONMAGNETIC.
- ELECTRICAL CHARACTERISTICS:
 INSULATION RESISTANCE: 5 G OHMS MINIMUM.
 WORKING VOLTAGE: 500 V.AC (rms).
- WORKING TEMPERATURE: -65°C TO 150°C.
- DIMENSIONS ARE IN INCHES [MILLIMETERS].

 POSITRONIC INDUSTRIES INC. www.connectpositronic.com		SCALE		DRAWN BY	
DECIMAL TOL. ± 0.015 [0.38]		N.T.S.		YK	
TITLE GMCT9F0E100JC		APPROVED BY			
DATE 7-13-04		DRAWING NUMBER		REV.	
ANGULAR TOL. $\pm 5^\circ$		SK5530		NC	