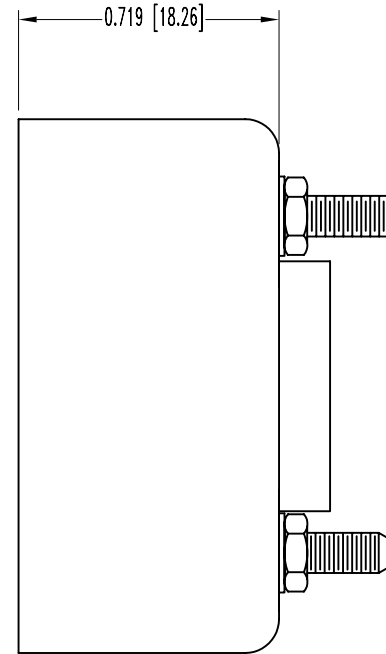
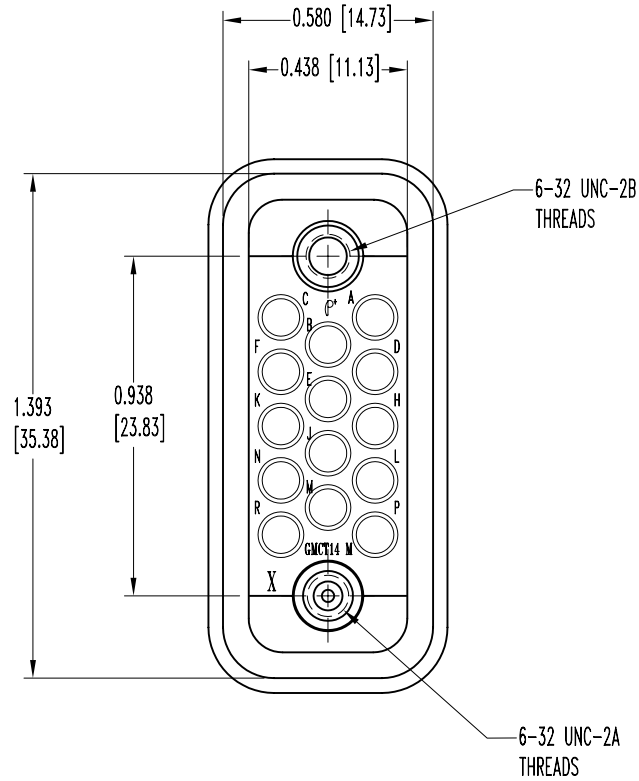


SK6372

POSITRONIC INDUSTRIES BELIEVES THE DATA ON THIS DRAWING TO BE RELIABLE. SINCE THE TECHNICAL INFORMATION IS GIVEN FREE OF CHARGE, THE USER EMPLOYS SUCH INFORMATION AT HIS OWN DISCRETION AND RISK. POSITRONIC INDUSTRIES ASSUMES NO RESPONSIBILITY FOR RESULTS OBTAINED OR DAMAGES INCURRED FROM USE OF SUCH INFORMATION IN WHOLE OR IN PART.

DATE	REV	REVISION RECORD	APP	DR	CK
7-26-05	NC	ECO 24407		YK	



NOTES:

- MATERIALS AND FINISHES:
 INSULATOR: GLASS FILLED DAP PER ASTM-D-5948 TYPE SDG-F, GREY COLOR.
 SHELL: ALUMINUM, YELLOW ANODIZE.
 JACKSCREWS: STAINLESS STEEL, PASSIVATED.
 HEX NUT: BRASS, ZINC PLATE WITH DICHROMATE SEAL.
 LOCKWASHERS: BRONZE, ZINC PLATE WITH DICHROMATE SEAL.
- ELECTRICAL CHARACTERISTICS:
 INSULATOR RESISTANCE: 5 G OHMS MINIMUM.
 WORKING TEMPERATURE: -65°C TO +150°C.
- DIMENSIONS ARE IN INCHES [MILLIMETERS].

		POSITRONIC INDUSTRIES INC. www.connectpositronic.com	
		SCALE N.T.S.	DRAWN BY YK
DECIMAL TOL. ± 0.015 [0.38]	TITLE GMCT14MOTR000	APPROVED BY	
ANGULAR TOL. ± 5°	DATE 7-26-05	DRAWING NUMBER SK6372	REV. NC