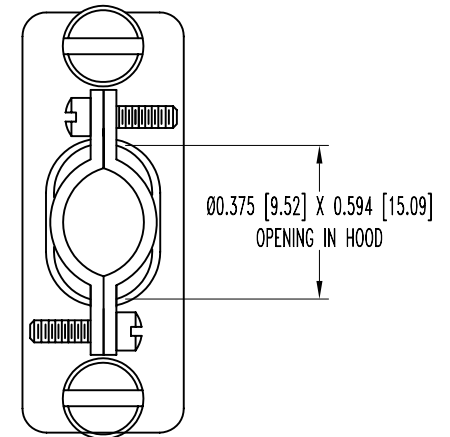
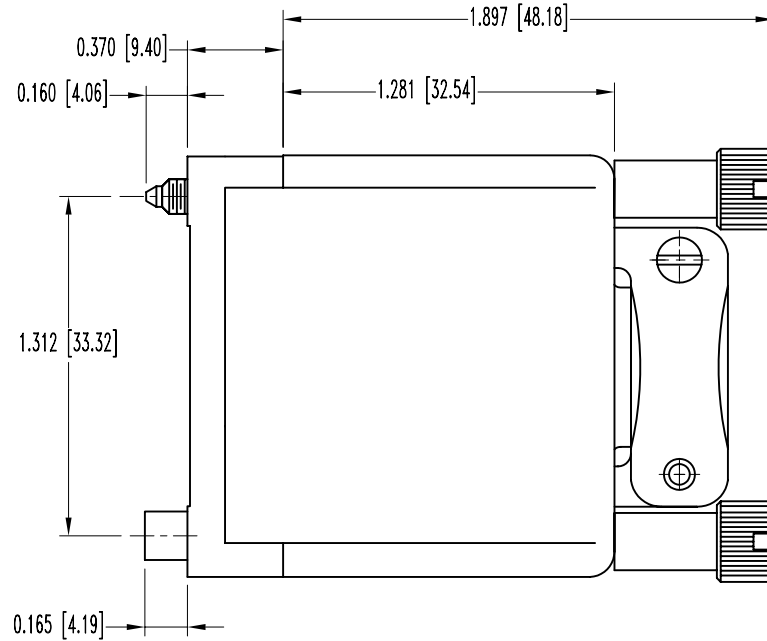
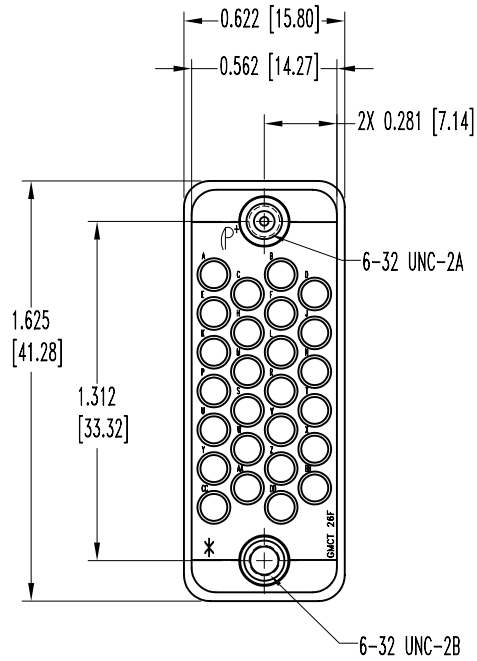


SK6265

POSITRONIC INDUSTRIES BELIEVES THE DATA ON THIS DRAWING TO BE RELIABLE. SINCE THE TECHNICAL INFORMATION IS GIVEN FREE OF CHARGE, THE USER EMPLOYS SUCH INFORMATION AT HIS OWN DISCRETION AND RISK. POSITRONIC INDUSTRIES ASSUMES NO RESPONSIBILITY FOR RESULTS OBTAINED OR DAMAGES INCURRED FROM USE OF SUCH INFORMATION IN WHOLE OR IN PART.

| DATE | REV | REVISION RECORD | APP | DR | CK |
|---------|-----|-----------------|-----|----|----|
| 6-20-05 | NC | ECO 24249 | | YK | |
| | | | | | |
| | | | | | |



NOTES:

1. MATERIALS AND FINISHES:

- INSULATOR: GLASS FILLED DAP PER ASTM-D-5948 TYPE SDG-F. GREY COLOR.
- HOOD, CABLE CLAMPS AND KNOBS: ALUMINUM, YELLOW ANODIZE.
- JACKSCREWS: STAINLESS STEEL, PASSIVATED.
- WASHERS: STAINLESS STEEL, PASSIVATED.
- ROLL PINS: STAINLESS STEEL, PASSIVATED.
- SCREWS: BRASS, ZINC PLATE WITH DICHROMATE SEAL.

2. ELECTRICAL CHARACTERISTICS:

- INSULATOR RESISTANCE: 5 G OHMS MINIMUM.
- WORKING TEMPERATURE: -65°C TO +150°C.

3. DIMENSIONS ARE IN INCHES [MILLIMETERS].

| | | | |
|--|-------------|----------------|----------|
|  POSITRONIC INDUSTRIES INC. www.connectpositronic.com | | SCALE | DRAWN BY |
| | | N.T.S. | YK |
| DECIMAL TOL. | GMCT SERIES | APPROVED BY | |
| ± 0.015 [0.38] | TITLE | GMCT26FOE100J0 | |
| ANGULAR TOL. | DATE | DRAWING NUMBER | REV. |
| ± 5° | 6-20-05 | SK6265 | NC |