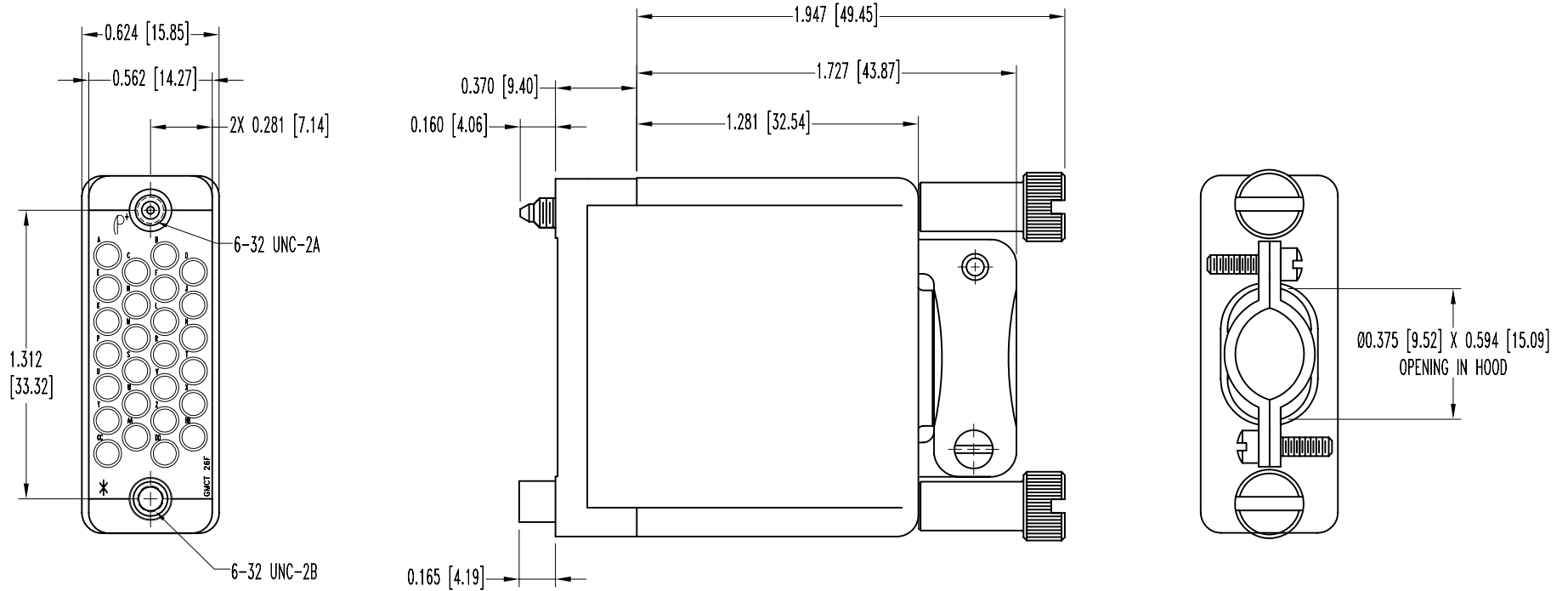


SK6375

POSITRONIC INDUSTRIES BELIEVES THE DATA ON THIS DRAWING TO BE RELIABLE. SINCE THE TECHNICAL INFORMATION IS GIVEN FREE OF CHARGE, THE USER EMPLOYS SUCH INFORMATION AT HIS OWN DISCRETION AND RISK. POSITRONIC INDUSTRIES ASSUMES NO RESPONSIBILITY FOR RESULTS OBTAINED OR DAMAGES INCURRED FROM USE OF SUCH INFORMATION IN WHOLE OR IN PART.

DATE	REV	REVISION RECORD	APP	DR	CK
7-27-05	NC	ECO 24414		YK	



NOTES:

1. MATERIALS AND FINISHES:

- INSULATOR: GLASS FILLED DAP PER ASTM-D-5948 TYPE SDG-F. GREY COLOR.
- HOOD, CABLE CLAMPS AND KNOBS: ALUMINUM, YELLOW ANODIZE.
- JACKSCREWS: STAINLESS STEEL, PASSIVATED.
- WASHERS: STAINLESS STEEL, PASSIVATED.
- SET SCREWS: STAINLESS STEEL, PASSIVATED.
- SCREWS: BRASS, ZINC PLATE WITH DICHRIMATE SEAL.

2. ELECTRICAL CHARACTERISTICS:

- INSULATOR RESISTANCE: 5 G OHMS MINIMUM.
- WORKING TEMPERATURE: -65°C TO +150°C.

3. DIMENSIONS ARE IN INCHES [MILLIMETERS].

		POSITRONIC INDUSTRIES INC. www.connectpositronic.com	
		SCALE N.T.S.	DRAWN BY YK
DECIMAL TOL. ± 0.015 [0.38]	TITLE GMCT SERIES	APPROVED BY	
ANGULAR TOL. $\pm 5^\circ$	DATE 7-27-05	DRAWING NUMBER SK6375	REV. NC