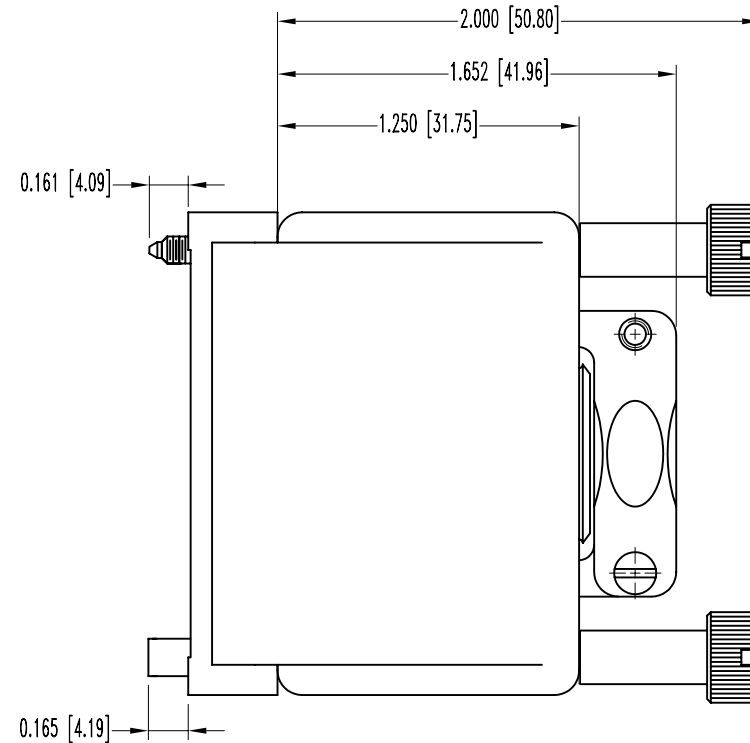
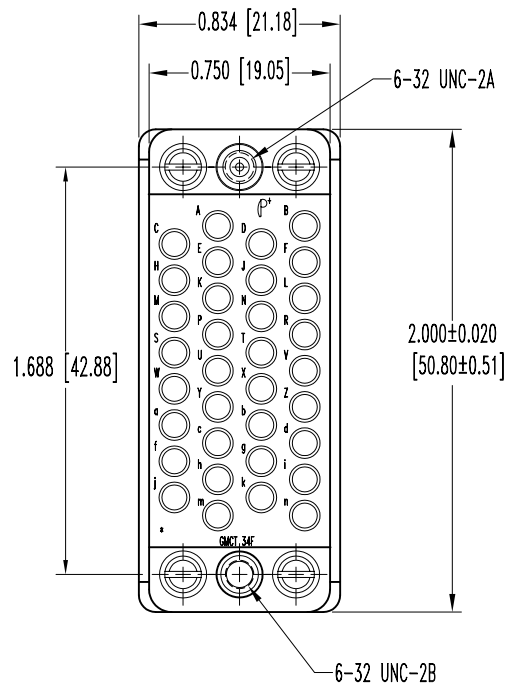


SK6373

POSITRONIC INDUSTRIES BELIEVES THE DATA ON THIS DRAWING TO BE RELIABLE. SINCE THE TECHNICAL INFORMATION IS GIVEN FREE OF CHARGE, THE USER EMPLOYS SUCH INFORMATION AT HIS OWN DISCRETION AND RISK. POSITRONIC INDUSTRIES ASSUMES NO RESPONSIBILITY FOR RESULTS OBTAINED OR DAMAGES INCURRED FROM USE OF SUCH INFORMATION IN WHOLE OR IN PART.

DATE	REV	REVISION RECORD	APP	DR	CK
7-26-05	NC	ECO 24407		YK	



NOTES:

1. MATERIALS AND FINISHES:

- INSULATOR: GLASS FILLED DAP PER ASTM-D-5948 TYPE SDG-F, COLOR GREY.
- KNOBS, CABLE CLAMP, AND HOOD: ALUMINUM, YELLOW ANODIZE.
- WASHERS: STAINLESS STEEL, PASSIVATED.
- JACKSCREW SYSTEM: PASSIVATED STAINLESS STEEL.
- SCREWS: BRASS, ZINC PLATE WITH DICHROMATE SEAL.
- CABLE CLAMP: ALUMINUM, YELLOW ANODIZE.

2. ELECTRICAL CHARACTERISTICS:

- INSULATOR RESISTANCE: 5 G OHMS MINIMUM.
- WORKING TEMPERATURE: -65°C TO +150°C.

3. DIMENSIONS ARE IN INCHES [MILLIMETERS].

		<b>POSITRONIC INDUSTRIES INC.</b> www.connectpositronic.com	
		DECIMAL TOL. $\pm 0.015$ [0.38]	TITLE <b>GMCT34F0000Y0</b>
ANGULAR TOL. $\pm 5^\circ$	DATE <b>7-26-05</b>	DRAWING NUMBER <b>SK6373</b>	SCALE <b>N.T.S.</b>
		DRAWN BY <b>YK</b>	APPROVED BY