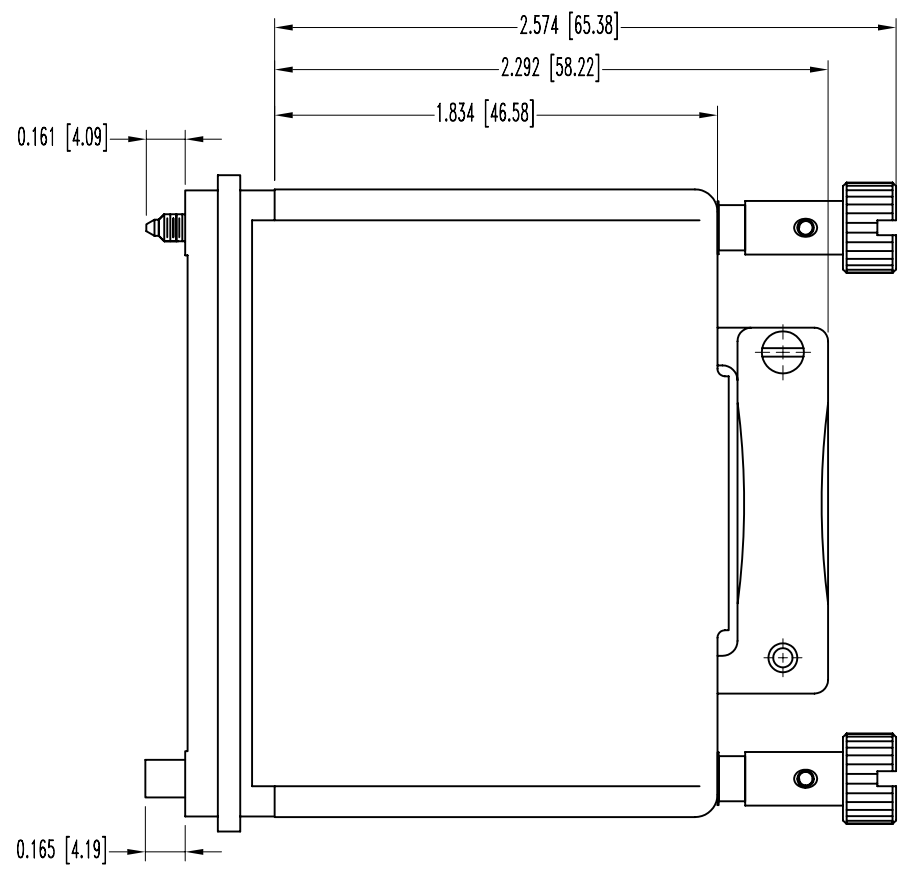
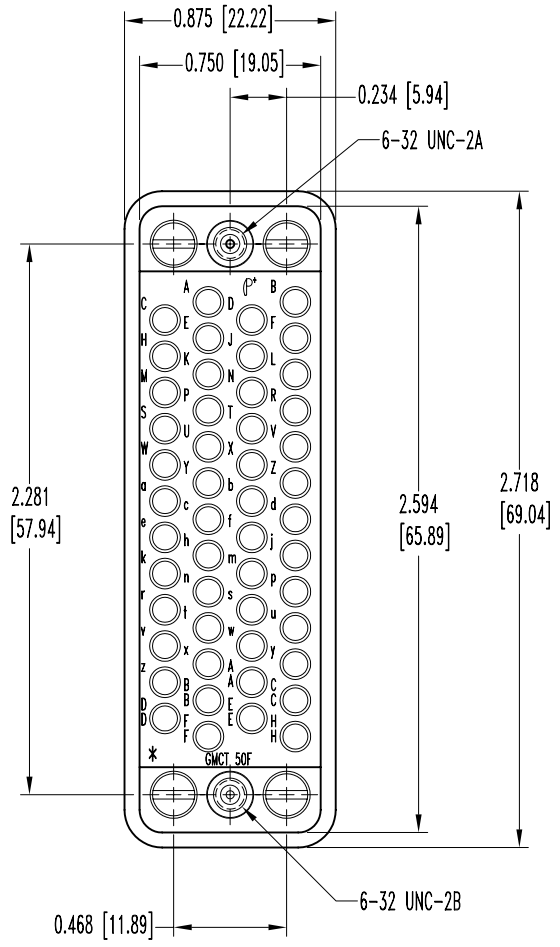


SK6376

POSITRONIC INDUSTRIES BELIEVES THE DATA ON THIS DRAWING TO BE RELIABLE. SINCE THE TECHNICAL INFORMATION IS GIVEN FREE OF CHARGE, THE USER EMPLOYS SUCH INFORMATION AT HIS OWN DISCRETION AND RISK. POSITRONIC INDUSTRIES ASSUMES NO RESPONSIBILITY FOR RESULTS OBTAINED OR DAMAGES INCURRED FROM USE OF SUCH INFORMATION IN WHOLE OR IN PART.

DATE	REV	REVISION RECORD	APP	DR	CK
7-27-05	NC	ECO 24414		YK	



- NOTES:
- MATERIALS AND FINISHES:
 INSULATOR: GLASS FILLED DAP PER ASTM-D-5948 TYPE SDG-F, COLOR GREY. GREY COLOR IS STANDARD, BLACK AVAILABLE.
 KNOBS, CABLE CLAMP, AND HOOD: ALUMINUM, YELLOW ANODIZE.
 WASHERS: STAINLESS STEEL, PASSIVATED.
 JACKSCREW SYSTEM: PASSIVATED STAINLESS STEEL.
 SCREWS: BRASS, ZINC PLATE WITH DICHROMATE SEAL.
 CABLE CLAMPS: ALUMINUM YELLOW ANODIZE.
 - ELECTRICAL CHARACTERISTICS:
 INSULATOR RESISTANCE: 5 G OHMS MINIMUM.
 WORKING TEMPERATURE: -65°C TO +150°C.
 - DIMENSIONS ARE IN INCHES [MILLIMETERS].

		POSITRONIC INDUSTRIES INC. www.connectpositronic.com		
		DECIMAL TOL. ± 0.015 [0.38]	SCALE N.T.S.	DRAWN BY YK
TITLE GMCT50F0000Y0		DATE 7-27-05	DRAWING NUMBER SK6376	REV. NC