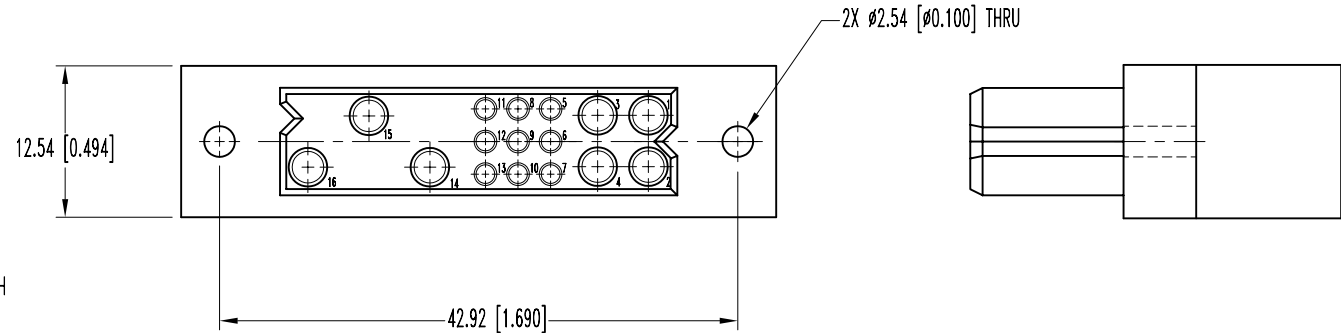
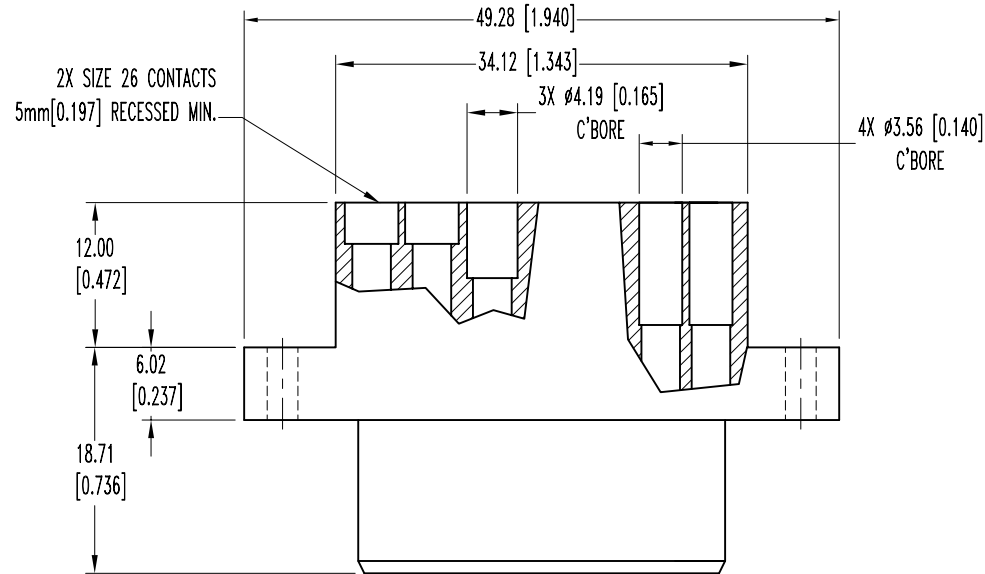


POSITRONIC INDUSTRIES BELIEVES THE DATA ON THIS DRAWING TO BE RELIABLE. SINCE THE TECHNICAL INFORMATION IS GIVEN FREE OF CHARGE, THE USER EMPLOYS SUCH INFORMATION AT HIS OWN DISCRETION AND RISK. POSITRONIC INDUSTRIES ASSUMES NO RESPONSIBILITY FOR RESULTS OBTAINED OR DAMAGES INCURRED FROM USE OF SUCH INFORMATION IN WHOLE OR IN PART.


DATE	REV	REVISION RECORD	APP	DR	CK
12-5-03	NC	ECO 21777		YK	



NOTES:

- MATERIALS AND FINISHES:**
 INSULATOR: GLASS FILLED POLYESTER, UL 94V-0. COLOR: BLUE.
 SIZE 16 & 22 CONTACTS: PRECISION MACHINED COPPER ALLOY WITH GOLD FLASH OVER NICKEL.
- ELECTRICAL CHARACTERISTICS:**
 CREEPAGE AND CLEARANCE DISTANCE; MINIMUM:
 CONTACT 16 TO CONTACT 14: 3.2 [0.126]
 CONTACT 15 TO CONTACT 14: 3.2 [0.126]
 CONTACT 16 TO SIGNAL CONTACTS: 6.4 [0.252]
 CONTACT 15 TO SIGNAL CONTACTS: 6.4 [0.252]
 CONTACT 16 TO CONTACT 15: 2.5 [0.098]
 CONTACT 14 TO SIGNAL CONTACTS: 2.0 [0.079]
 INSULATION RESISTANCE: 5 G OHMS PER IEC 512-2, TEST 3a.
 WORKING TEMPERATURE: -55°C TO +125°C.
- CONTACTS CALLED OUT FOR REFERENCE ONLY.**
 CONTACTS ORDERED SEPARATELY.
 USE FC422N7 CONTACTS FOR SIZE 22 CONTACTS, SEE TABLE FOR SIZE 16 CONTACTS.
- DIMENSIONS ARE IN MILLIMETERS [INCHES].**

PART NUMBER	WIRE SIZE mm ² / [awg]
FC112N2S-1565.0	4.0/[12]
FC114N2S-1565.0	2.5-1.5/[14-16]
FC116N2S-1565.0	1.5-1.0/[16-18]

	POSITRONIC INDUSTRIES INC. www.connectpositronic.com	
	DECIMAL TOL. ± 0.38 [0.015]	SCALE N.T.S.
PCI SERIES	DRAWN BY YK	APPROVED BY
TITLE PCIC16W7F8000		
DATE 12-5-03	DRAWING NUMBER SK5246	REV. NC