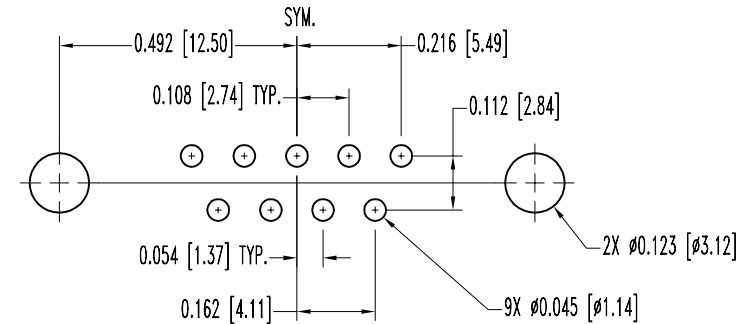
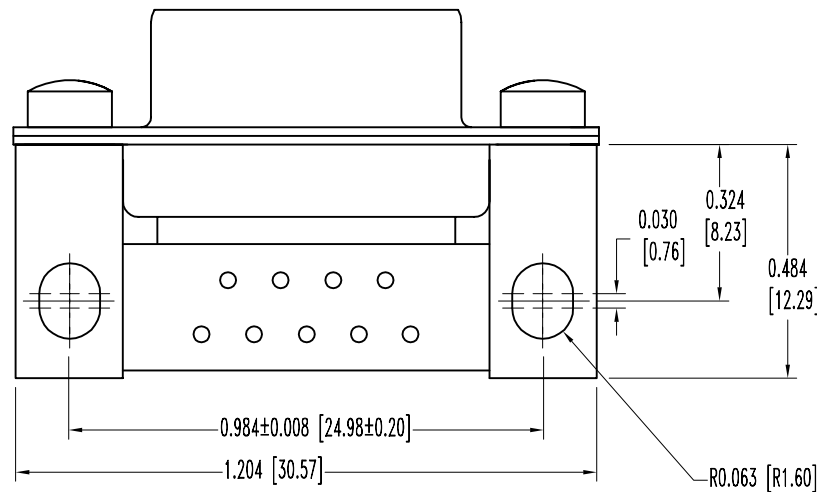
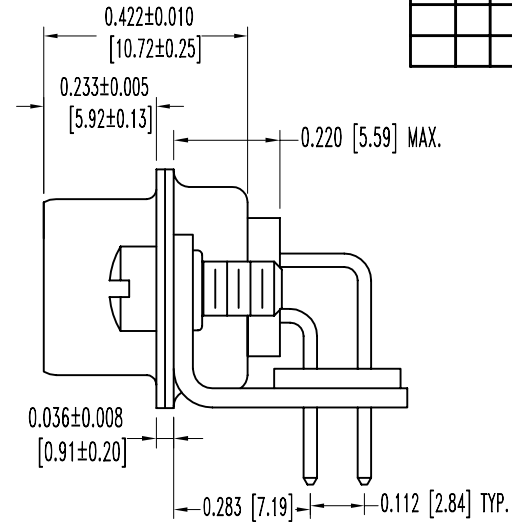
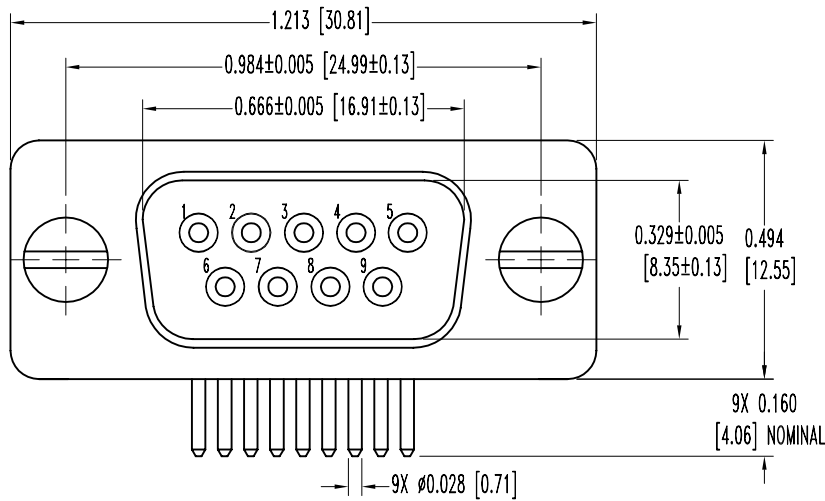


SK4667

POSITRONIC INDUSTRIES BELIEVES THE DATA ON THIS DRAWING TO BE RELIABLE. SINCE THE TECHNICAL INFORMATION IS GIVEN FREE OF CHARGE, THE USER EMPLOYS SUCH INFORMATION AT HIS OWN DISCRETION AND RISK. POSITRONIC INDUSTRIES ASSUMES NO RESPONSIBILITY FOR RESULTS OBTAINED OR DAMAGES INCURRED FROM USE OF SUCH INFORMATION IN WHOLE OR IN PART.

DATE	REV	REVISION RECORD	APP	DR	CK
10-7-02	NC	ECO 20114		ME	



CONTACT HOLE PATTERN

NOTES:

1. MATERIALS AND FINISHES:

- INSULATOR: GLASS FILLED DAP PER ASTM-D-5948 TYPE SDG-F, UL 94V-0, GREEN COLOR.
- CONTACTS: PRECISION MACHINED BRASS ALLOY. GOLD FLASH OVER NICKEL.
- SHELLS: STEEL, CADMIUM PLATED WITH DICHROMATE SEAL.
- BRACKET: BRASS, ZINC PLATE WITH DICHROMATE SEAL.

2. ELECTRICAL CHARACTERISTICS:

- CONTACT CURRENT RATING: 7.5 AMPS NOMINAL.
- INITIAL CONTACT RESISTANCE: 0.005 OHMS MAXIMUM.
- INSULATOR RESISTANCE: 5 G OHMS.
- WORKING VOLTAGE: 300 V r.m.s.

3. TEMPERATURE RANGE: -55°C TO +125°C.

4. DIMENSIONS ARE IN INCHES [MILLIMETERS].

 POSITRONIC INDUSTRIES INC. www.connectpositronic.com		SCALE N.T.S.		DRAWN BY M. ENEA	
DECIMAL TOL. ± 0.015 [0.38]		HDC SERIES		APPROVED BY	
WF # 4839		HDC9M5B300C			
DATE 10-8-02		DRAWING NUMBER SK4667		REV. NC	