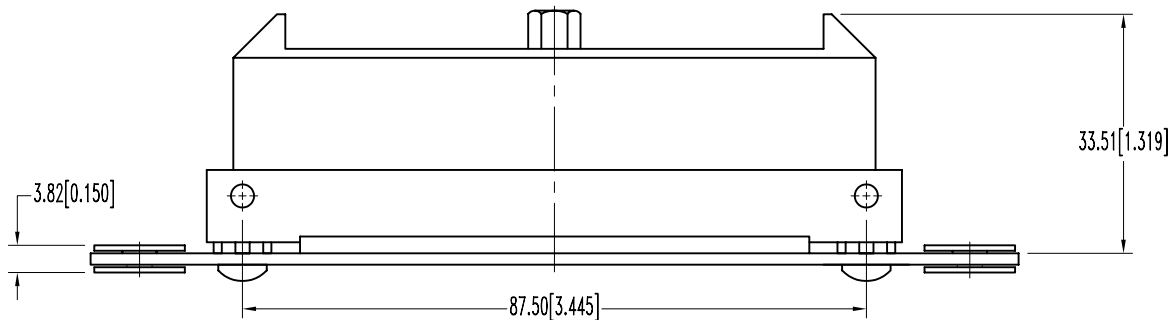
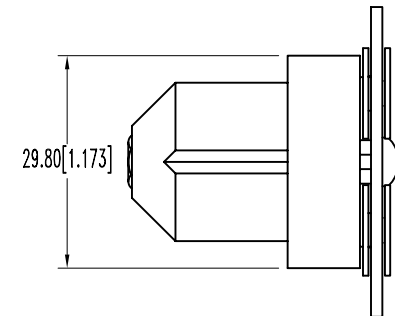
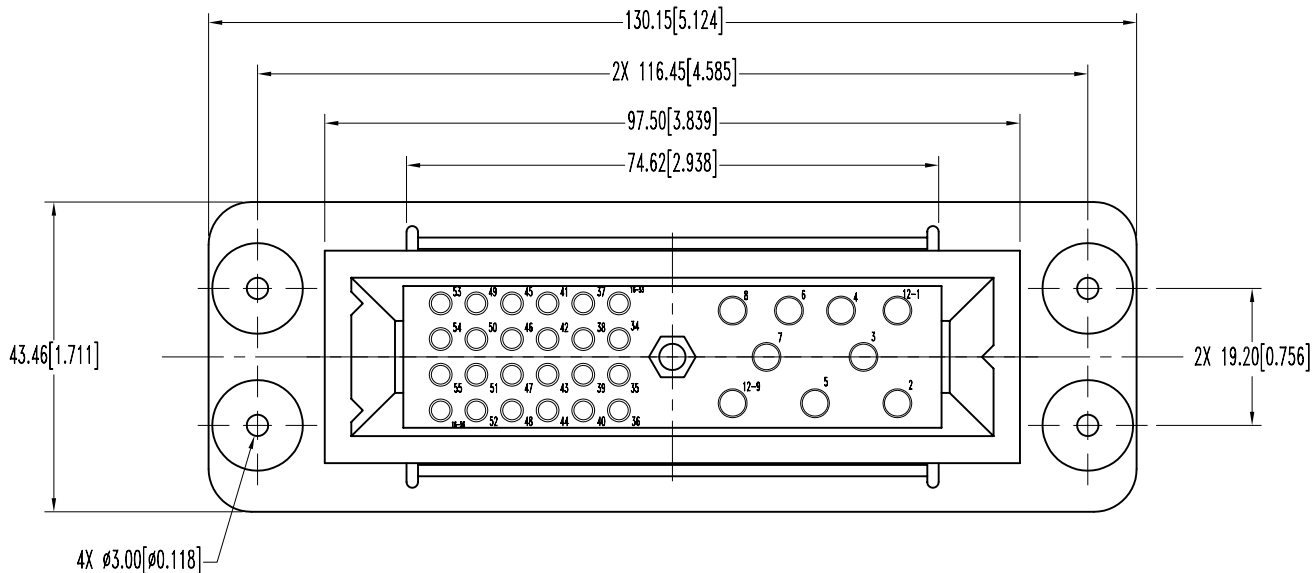


SK2845

POSITRONIC INDUSTRIES BELIEVES THE DATA ON THIS DRAWING TO BE RELIABLE. SINCE THE TECHNICAL INFORMATION IS GIVEN FREE OF CHARGE, THE USER EMPLOYS SUCH INFORMATION AT HIS OWN DISCRETION AND RISK. POSITRONIC INDUSTRIES ASSUMES NO RESPONSIBILITY FOR RESULTS OBTAINED OR DAMAGES INCURRED FROM USE OF SUCH INFORMATION IN WHOLE OR IN PART.

DATE	REV	REVISION RECORD	APP	DR	CK
5-16-97	NC	ECO 11880	RCW	MS	MZ
4-25-00	A	ECO 16237		JLG	



NOTES:

- MATERIALS AND FINISHES:
 INSULATOR: GLASS-FILLED POLYESTER, UL 94V-0, BLUE COLOR.
 CONTACTS ORDERED SEPARATELY.
 SCREWS: STEEL, ZINC PLATE.
 JACKSCREWS: STAINLESS STEEL, PASSIVATED.
 MOUNTING PLATE: STEEL, ZINC PLATE.
- MECHANICAL CHARACTERISTICS:
 BLIND MATING SYSTEM MALE AND FEMALE CONNECTOR BODIES
 PROVIDE "LEAD-IN" FOR 7.6 mm [0.30 in.] DIAMETRAL MISALIGNMENT.
- POLARIZATION: PROVIDED BY CONNECTOR BODY DESIGN.
- CLIMATIC CHARACTERISTICS:
 WORKING TEMPERATURE: -55°C TO +125°C.
- DIMENSIONS ARE IN MILLIMETERS [INCHES].

		POSITRONIC INDUSTRIES INC. www.connectpositronic.com	
		DECIMAL TOL. ± 0.38 [0.015]	INFINITY SERIES
WF # 23502		TITLE IP33W9FOHTO	
ANGULAR TOL. ± 5°	DATE 5-16-97	DRAWING NUMBER SK2845	APPROVED BY RCW
			REV. A