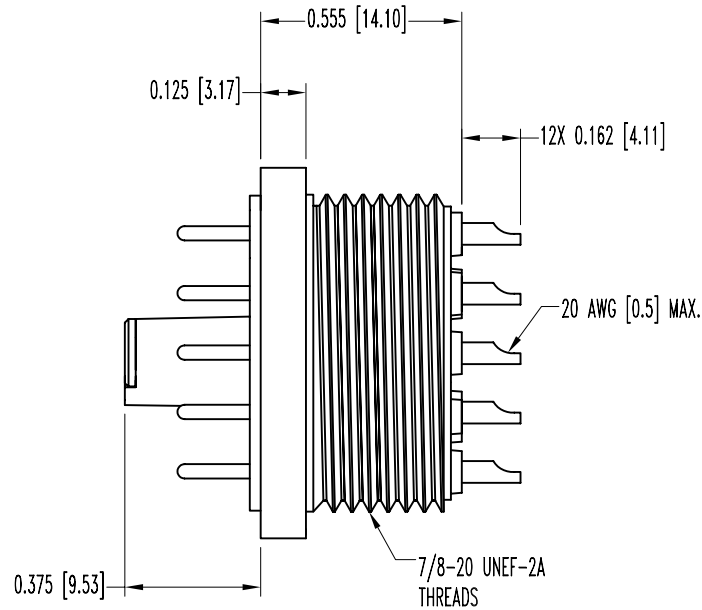
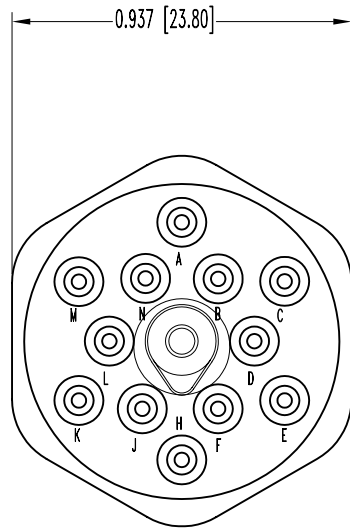


SK7668

POSITRONIC INDUSTRIES BELIEVES THE DATA ON THIS DRAWING TO BE RELIABLE. SINCE THE TECHNICAL INFORMATION IS GIVEN FREE OF CHARGE, THE USER EMPLOYS SUCH INFORMATION AT HIS OWN DISCRETION AND RISK. POSITRONIC INDUSTRIES ASSUMES NO RESPONSIBILITY FOR RESULTS OBTAINED OR DAMAGES INCURRED FROM USE OF SUCH INFORMATION IN WHOLE OR IN PART.

| DATE    | REV | REVISION RECORD | APP | DR | CK |
|---------|-----|-----------------|-----|----|----|
| 6-29-06 | NC  | ECO 26281       |     | YK |    |
|         |     |                 |     |    |    |
|         |     |                 |     |    |    |



NOTES:

- MATERIALS AND FINISHES:  
 INSULATOR: GLASS-FILLED POLYESTER PER MIL-M-24519, UL 94V-0, GREY COLOR.  
 CONTACTS: COPPER ALLOY, GOLD FLASH OVER NICKEL PLATE.  
 PIN: BRASS, ZINC PLATE WITH DICHROMATE SEAL.
- ELECTRICAL CHARACTERISTICS:  
 CONTACT CURRENT RATING: 7.5 AMPERES, MAXIMUM.  
 INITIAL CONTACT RESISTANCE: 0.008 OHMS, MAXIMUM.  
 INSULATION RESISTANCE: 5 G OHMS.  
 WORKING VOLTAGE: 300 VAC (rms).
- TEMPERATURE RANGE: -55°C TO +125° C.
- DIMENSIONS ARE IN INCHES [MILLIMETERS].

|                      |  |                          |                     |            |
|----------------------|--|--------------------------|---------------------|------------|
|                      | <b>POSITRONIC INDUSTRIES INC.</b><br>www.connectpositronic.com |                          | SCALE               | DRAWN BY   |
|                      | DECIMAL TOL.<br>± 0.015 [0.38]                                 | CIRCULAR SERIES          | N.T.S.              | YK         |
| ANGULAR TOL.<br>± 5° | DATE<br>6-30-06  | DRAWING NUMBER<br>SK7668 | TITLE<br>LGH12MSC00 | REV.<br>NC |