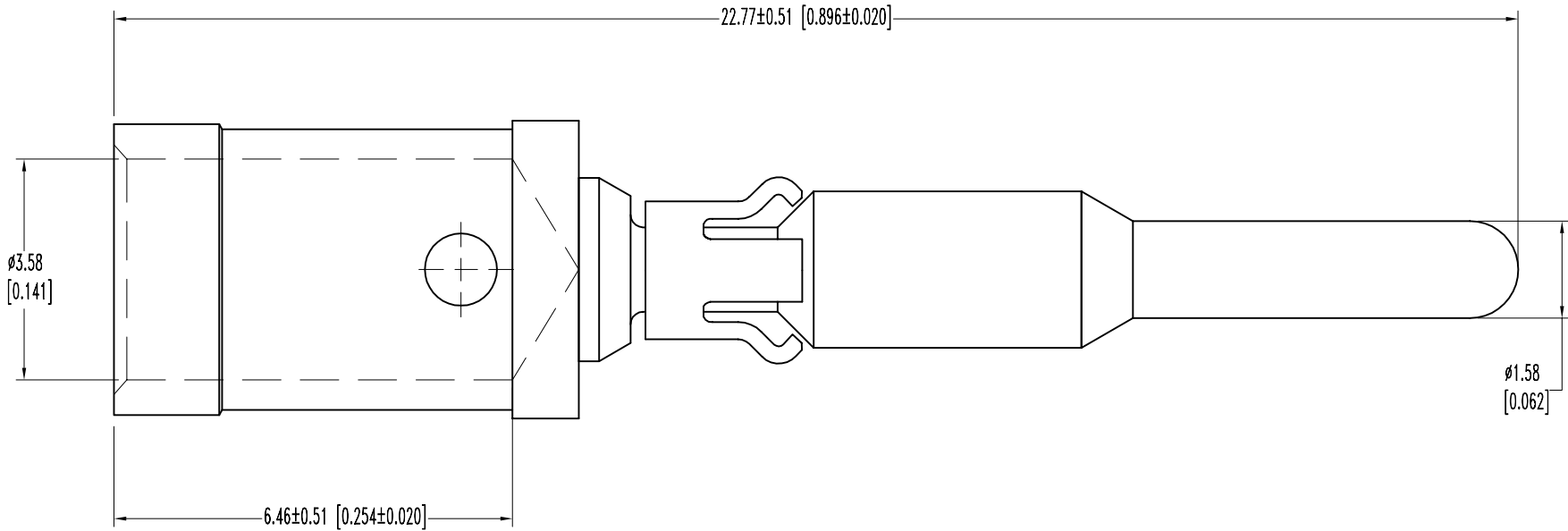


SK4195


POSITRONIC INDUSTRIES BELIEVES THE DATA ON THIS DRAWING TO BE RELIABLE. SINCE THE TECHNICAL INFORMATION IS GIVEN FREE OF CHARGE, THE USER EMPLOYS SUCH INFORMATION AT HIS OWN DISCRETION AND RISK. POSITRONIC INDUSTRIES ASSUMES NO RESPONSIBILITY FOR RESULTS OBTAINED OR DAMAGES INCURRED FROM USE OF SUCH INFORMATION IN WHOLE OR IN PART.

DATE	REV	REVISION RECORD	APP	DR	CK
3-20-02	NC	ECO 19164	RCW	ME	TK
7-1-02	A	ECO 19667	RCW	ME	TK
8-12-02	B	ECO 19860	RCW	TH	RCW
8-6-03	C	ECO 21242		YK	



NOTES:

- MATERIAL AND FINISHES:  
CONTACT: COPPER ALLOY, GOLD FLASH OVER NICKEL.  
SPRING CLIP: BERYLLIUM COPPER, GOLD FLASH OVER NICKEL PLATE.
- USE CRIMP TOOL, PART NUMBER 9509-6-3, FOR CRIMPING CONTACTS.
- USE REMOVAL TOOL, PART NUMBER 9081-4-0 FOR THE REMOVAL OF CONTACTS.
- DIMENSIONS ARE IN MILLIMETERS [INCHES].

 <b>POSITRONIC INDUSTRIES INC.</b> www.connectpositronic.com		SPECIAL SERIES		SCALE	DRAWN BY
		SIZE 16-10 AWG WIRE		N.T.S.	M. ENEA
DECIMAL TOL.		TITLE		APPROVED BY	
± 0.38 [0.015]		MC110N		RCW	
ANGULAR TOL.		DATE	DRAWING NUMBER	REV.	
± 5°		3-20-02	SK4195	C	