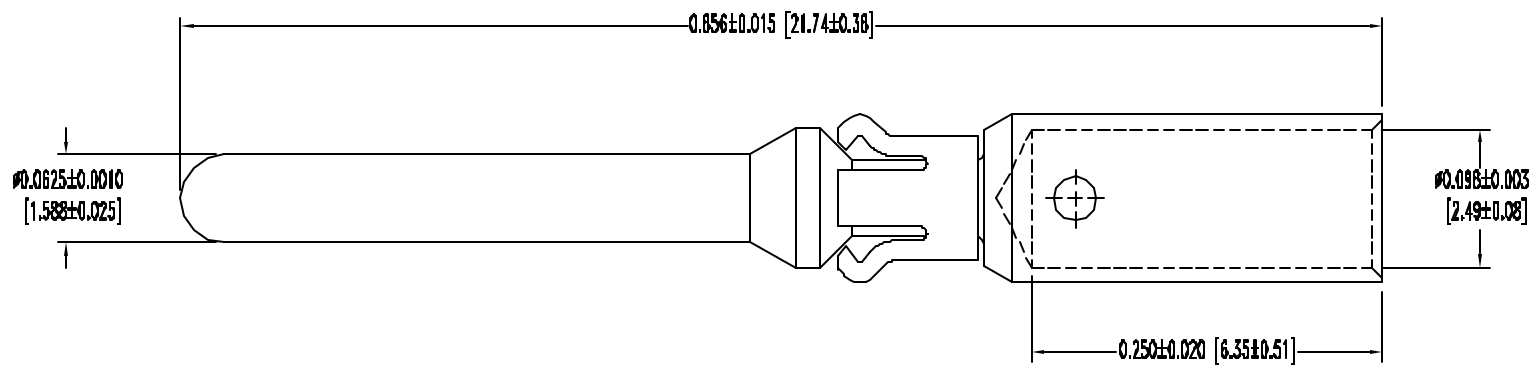


SK4049

POSITRONIC INDUSTRIES BELIEVES THE DATA ON THIS DRAWING TO BE RELIABLE, SINCE THE TECHNICAL INFORMATION IS GIVEN FREE OF CHARGE, THE USER EMPLOYEES SUCH INFORMATION AT HIS OWN DISCRETION AND RISK. POSITRONIC INDUSTRIES ASSUMES NO RESPONSIBILITY FOR RESULTS OBTAINED OR DAMAGES INCURRED FROM USE OF SUCH INFORMATION IN WHOLE OR IN PART.

DATE	REV	REVISION RECORDED	APP	DR	CK
11-20-01	NC	ECO 18653		ME	



NOTES:

1. MATERIALS AND FINISHES:

CONTACTS: COPPER ALLOY, 0.000010 [0.25µ] GOLD OVER NICKEL.  
 SPRING CLIP: BERYLLIUM COPPER, GOLD FLASH.

2. MOS 133.5 ALLOWS FOR CONTACT TO BE SUPPLIED WITH AN OVERALL LENGTH OF 0.856±0.015 [21.74±0.38] WHICH ALLOWS FOR A 0.609 [15.47] MATING LENGTH WHEN INSTALLED INTO THE WELDING.

3. DIMENSIONS ARE IN INCHES [MILLIMETERS].



**POSITRONIC INDUSTRIES INC.**  
 www.connectpositronic.com



DECIMAL TOL.  
 ± 0.015 [0.38]

WF # 4179

ANGULAR TOL.  
 ± 5°

PCS SERIES

TITLE  
 MC112N-133.5

DATE  
 11-20-01

DRAWING NUMBER  
 SK4049

SCALE  
 N.T.S.

DRAWN BY  
 M. ENEA  
 APPROVED BY

REV.  
 NC