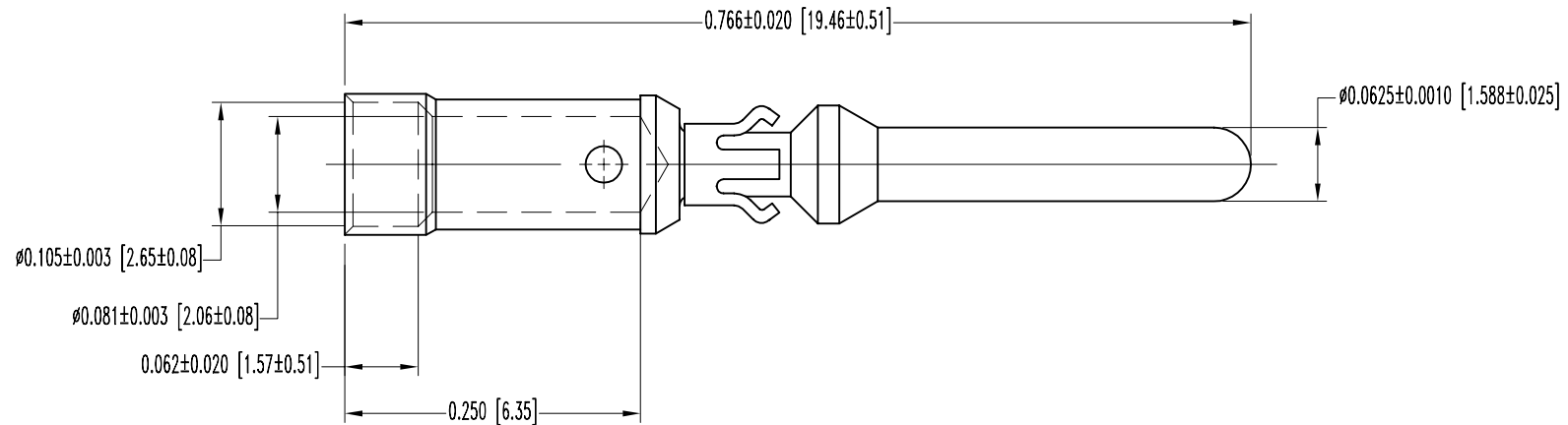


SK4220

POSITRONIC INDUSTRIES BELIEVES THE DATA ON THIS DRAWING TO BE RELIABLE, SINCE THE TECHNICAL INFORMATION IS GIVEN FREE OF CHARGE, THE USER EMPLOYS SUCH INFORMATION AT HIS OWN DISCRETION AND RISK. POSITRONIC INDUSTRIES ASSUMES NO RESPONSIBILITY FOR RESULTS OBTAINED OR DAMAGES INCURRED FROM USE OF SUCH INFORMATION IN WHOLE OR IN PART.

DATE	REV	REVISION RECORD	APP	DR	CK
3-7-02	NC	ECO 19110		YK	



NOTES:

- MATERIALS AND FINISHES:
CONTACT: PRECISION MACHINED COPPER ALLOY WITH 0.000030 [0.76μ] GOLD OVER NICKEL.
- ELECTRICAL CHARACTERISTICS:
CONTACT CURRENT RATING: 25 AMPERES CONTINUOUS, DERATED PER IEC 512-3, TEST 5b.
INITIAL CONTACT RESISTANCE: 0.003 OHMS MAX. PER IEC 512-2, TEST 2b.
AFTER 1,000 OPERATIONS: 0.007 OHMS MAX. PER IEC 512-2, TEST 2b.
- DIMENSIONS ARE IN INCHES [MILLIMETERS].

		POSITRONIC INDUSTRIES INC. www.connectpositronic.com	
		SCALE N.T.S.	DRAWN BY Y.KELLEYBREW
DECIMAL TOL. ± 0.015 [0.38]	PCS SERIES	APPROVED BY	
WF # 4396	MC114N-14		
ANGULAR TOL. ± 5°	DATE 3-7-02	DRAWING NUMBER SK4220	REV. NC