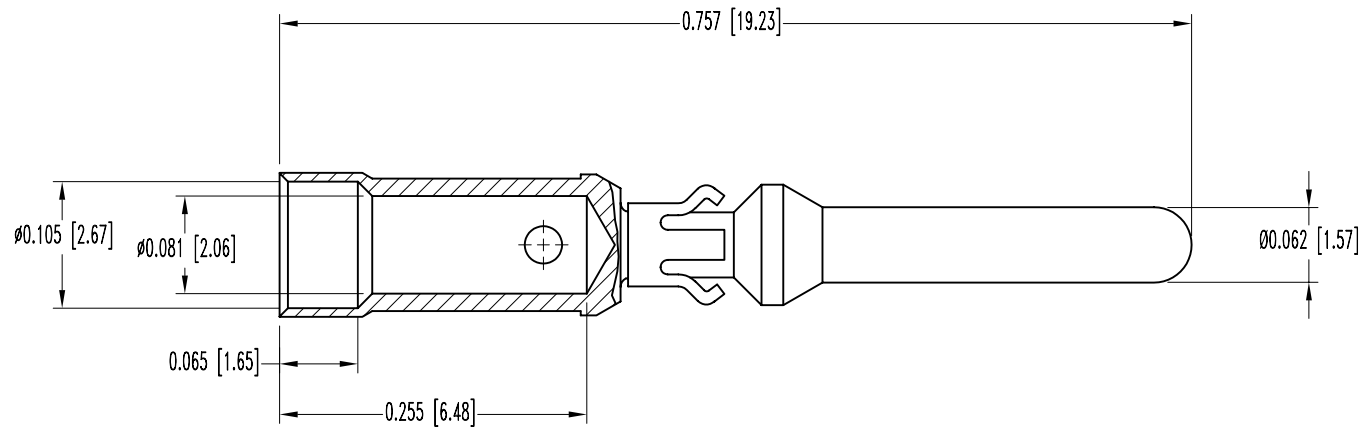


SK6764


POSITRONIC INDUSTRIES BELIEVES THE DATA ON THIS DRAWING TO BE RELIABLE, SINCE THE TECHNICAL INFORMATION IS GIVEN FREE OF CHARGE, THE USER EMPLOYS SUCH INFORMATION AT HIS OWN DISCRETION AND RISK. POSITRONIC INDUSTRIES ASSUMES NO RESPONSIBILITY FOR RESULTS OBTAINED OR DAMAGES INCURRED FROM USE OF SUCH INFORMATION IN WHOLE OR IN PART.

| DATE     | REV | REVISION RECORD | APP | DR | CK |
|----------|-----|-----------------|-----|----|----|
| 11-29-05 | NC  | ECO 25113       |     | YK |    |
|          |     |                 |     |    |    |
|          |     |                 |     |    |    |



NOTES:

- MATERIALS AND FINISHES:  
CONTACT: COPPER ALLOY, GOLD FLASH OVER NICKEL PLATE.  
SPRING CLIP: BERYLLIUM COPPER, GOLD FLASH OVER NICKEL PLATE.
- CONTACTS ARE ROHS COMPLIANT PER ROHS DIRECTIVE 2002/95/EC OF 27 JAN 2003.
- DIMENSIONS ARE IN INCHES [MILLIMETERS].

|  |            |                |          |
|--|------------|----------------|----------|
|  <b>POSITRONIC INDUSTRIES INC.</b><br>www.connectpositronic.com |            | SCALE          | DRAWN BY |
|  |            | N.T.S.         | YK       |
| DECIMAL TOL.   | PCS SERIES | APPROVED BY    |          |
| ± 0.015 [0.38]   | TITLE      |                |          |
|  | MC114N/AA  |                |          |
| ANGULAR TOL.   | DATE       | DRAWING NUMBER | REV.     |
| ± 5°   | 11-29-05   | SK6764         | NC       |