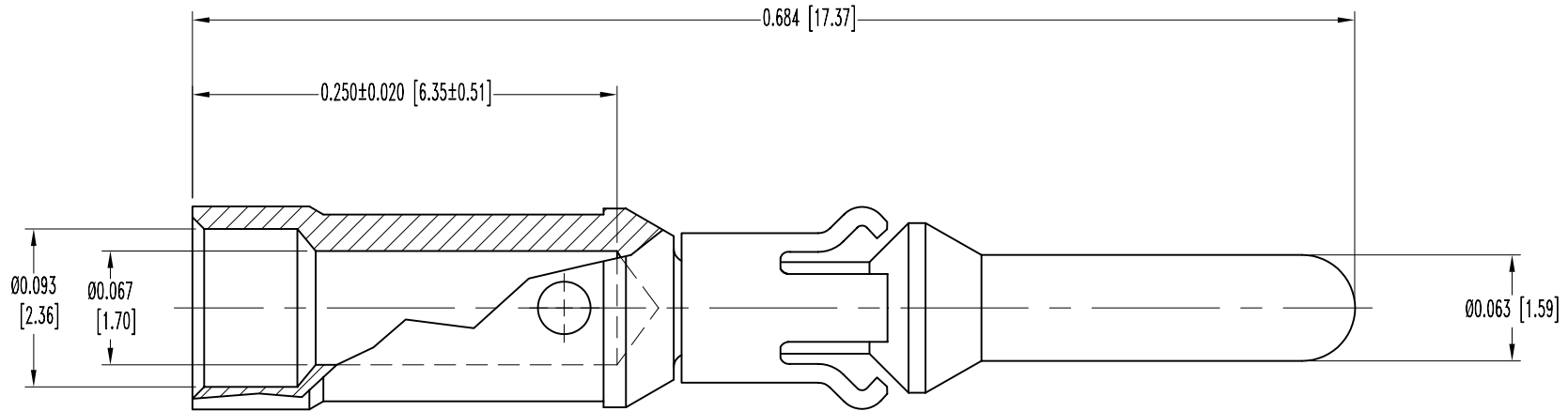


SK7641


POSITRONIC INDUSTRIES BELIEVES THE DATA ON THIS DRAWING TO BE RELIABLE. SINCE THE TECHNICAL INFORMATION IS GIVEN FREE OF CHARGE, THE USER EMPLOYS SUCH INFORMATION AT HIS OWN DISCRETION AND RISK. POSITRONIC INDUSTRIES ASSUMES NO RESPONSIBILITY FOR RESULTS OBTAINED OR DAMAGES INCURRED FROM USE OF SUCH INFORMATION IN WHOLE OR IN PART.

DATE	REV	REVISION RECORD	APP	DR	CK
6-21-06	NC	ECO 26224		YK	



NOTES:

- MATERIALS AND FINISHES:
 CONTACT: COPPER ALLOY, GOLD FLASH OVER NICKEL.
 RETAINER: BERYLLIUM COPPER, GOLD FLASH OVER NICKEL PLATE.
- MOS 133.0 ALLOWS FOR CONTACT TO BE SUPPLIED WITH AN OVERALL LENGTH OF 0.684 [17.37].
- CONTACTS ARE ROHS COMPLIANT PER ROHS DIRECTIVE 2002/95/EC OF 27 JAN 2003.
- DIMENSIONS ARE IN INCHES [MILLIMETERS].

 POSITRONIC INDUSTRIES INC. www.connectpositronic.com		SCALE	DRAWN BY
		N.T.S.	YK
DECIMAL TOL.	GMCT SERIES	APPROVED BY	
± 0.015 [0.38]	TITLE	MC116N/AA-133.0	
ANGULAR TOL.	DATE	DRAWING NUMBER	REV.
± 5°	6-21-06	SK7641	NC