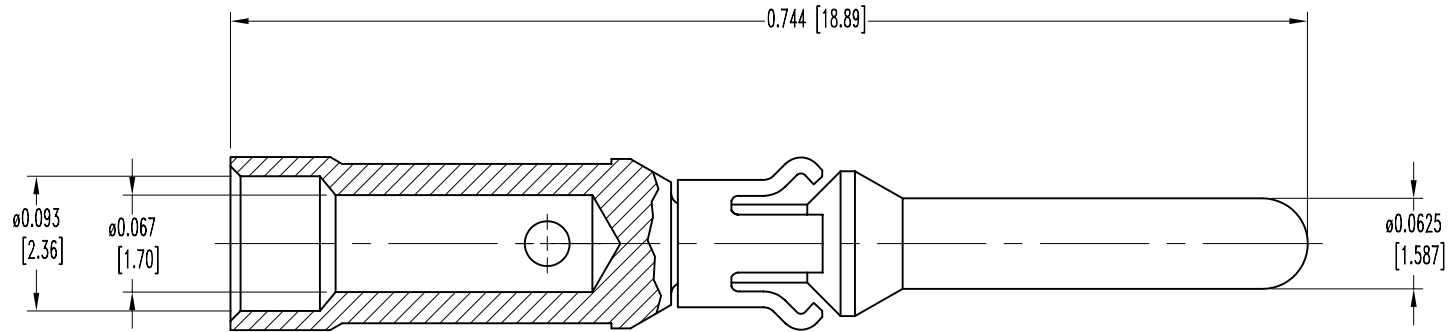


SK6877


POSITRONIC INDUSTRIES BELIEVES THE DATA ON THIS DRAWING TO BE RELIABLE. SINCE THE TECHNICAL INFORMATION IS GIVEN FREE OF CHARGE, THE USER EMPLOYS SUCH INFORMATION AT HIS OWN DISCRETION AND RISK. POSITRONIC INDUSTRIES ASSUMES NO RESPONSIBILITY FOR RESULTS OBTAINED OR DAMAGES INCURRED FROM USE OF SUCH INFORMATION IN WHOLE OR IN PART.

DATE	REV	REVISION RECORD	APP	DR	CK
12-21-05	NC	ECO 25243		YK	



NOTES:

- MATERIALS AND FINISHES:  
 CONTACT: BRASS, GOLD FLASH OVER NICKEL PLATE.  
 SPRING CLIP: BERYLLIUM COPPER, GOLD FLASH OVER NICKEL PLATE.
- THIS MOS ALLOWS THE CONTACT TO BE SUPPLIED WITH AN O.A.L. OF 0.744 [18.90] WHICH ALLOWS FOR A 0.310 [7.87] MATING LENGTH WHEN INSTALLED INTO MOLDING.
- CONTACTS ARE ROHS COMPLIANT PER ROHS DIRECTIVE 2002/95/EC OF 27 JAN 2003.
- DIMENSIONS ARE IN INCHES [MILLIMETERS].

 <b>POSITRONIC INDUSTRIES INC.</b> www.connectpositronic.com		SCALE		DRAWN BY	
DECIMAL TOL. ± 0.015 [0.38]		PCS SERIES		N.T.S.	
ANGULAR TOL. ± 5°		TITLE		APPROVED BY	
DATE		DRAWING NUMBER		REV.	
12-21-05		SK6877		YK	
		MC116N/AA-133.2		NC	