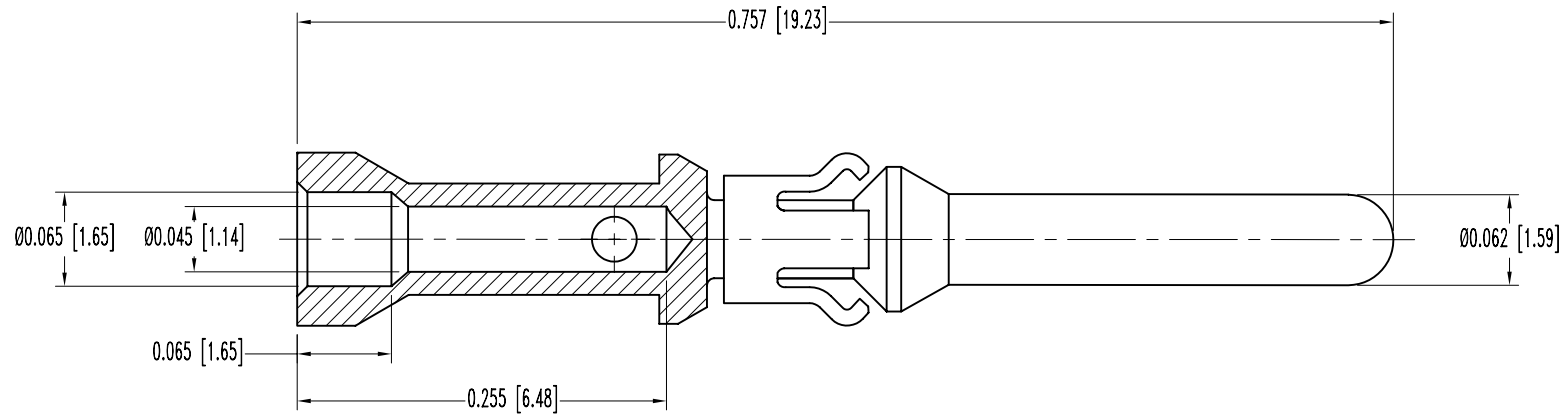


SK7137


POSITRONIC INDUSTRIES BELIEVES THE DATA ON THIS DRAWING TO BE RELIABLE. SINCE THE TECHNICAL INFORMATION IS GIVEN FREE OF CHARGE, THE USER EMPLOYS SUCH INFORMATION AT HIS OWN DISCRETION AND RISK. POSITRONIC INDUSTRIES ASSUMES NO RESPONSIBILITY FOR RESULTS OBTAINED OR DAMAGES INCURRED FROM USE OF SUCH INFORMATION IN WHOLE OR IN PART.

DATE	REV	REVISION RECORD	APP	DR	CK
3-9-06	NC	ECO 25620		YK	



NOTES:

- MATERIALS AND FINISHES:
 CONTACTS: COPPER ALLOY, 0.000030[0.76μ] GOLD OVER NICKEL PLATE.
 SPRING CLIP: BERYLLIUM COPPER. GOLD FLASH OVER NICKEL.
- DIMENSIONS ARE IN INCHES [MILLIMETERS].

 POSITRONIC INDUSTRIES INC. www.connectpositronic.com		SCALE		DRAWN BY	
DECIMAL TOL. ± 0.015 [0.38]		PCS SERIES		N.T.S.	
ANGULAR TOL. ± 5°		DATE		REV.	
		3-9-06		NC	
TITLE		DRAWING NUMBER		APPROVED BY	
MC120N-14		SK7137		YK	