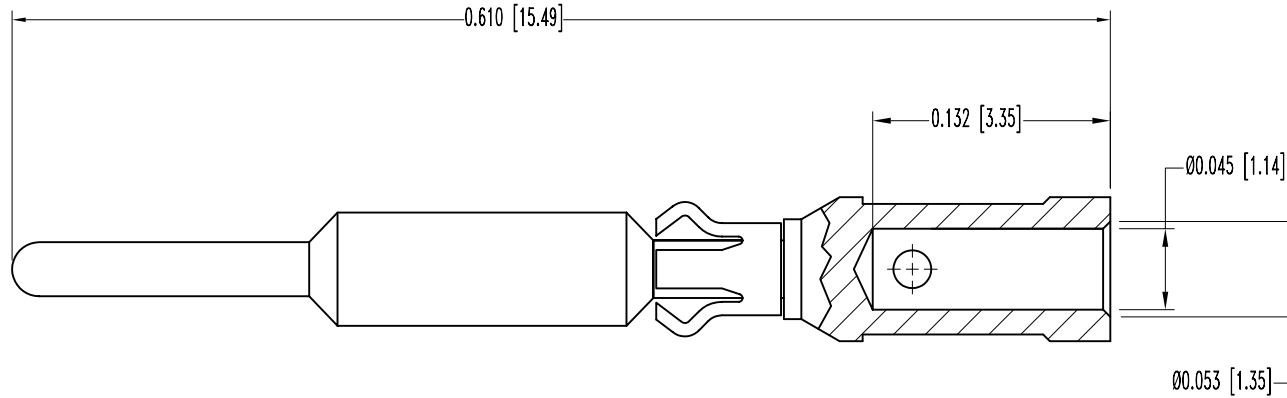


SK6922


POSITRONIC INDUSTRIES BELIEVES THE DATA ON THIS DRAWING TO BE RELIABLE, SINCE THE TECHNICAL INFORMATION IS GIVEN FREE OF CHARGE, THE USER EMPLOYS SUCH INFORMATION AT HIS OWN DISCRETION AND RISK. POSITRONIC INDUSTRIES ASSUMES NO RESPONSIBILITY FOR RESULTS OBTAINED OR DAMAGES INCURRED FROM USE OF SUCH INFORMATION IN WHOLE OR IN PART.

DATE	REV	REVISION RECORD	APP	DR	CK
1-5-06	NC	ECO 25314		YK	



NOTES:

- MATERIAL AND FINISHES:  
CONTACT: COPPER ALLOY, 0.00015 [0.38μ] GOLD OVER NICKEL PLATE.  
RETAINING CLIP: BERYLLIUM COPPER, GOLD FLASH OVER NICKEL PLATE.
- CONTACTS ARE ROHS COMPLIANT PER ROHS DIRECTIVE 2002/95/EC OF 27 JAN 2003.
- DIMENSIONS ARE IN INCHES [MILLIMETERS].

 <b>POSITRONIC INDUSTRIES INC.</b> <a href="http://www.connectpositronic.com">www.connectpositronic.com</a>		SCALE		DRAWN BY	
		N.T.S.		YK	
DECIMAL TOL.		CIRCULAR SERIES		APPROVED BY	
±0.015 [0.38]		TITLE			
		MC420N/AA			
ANGULAR TOL.		DATE		REV.	
±5°		1-5-06		NC	
		DRAWING NUMBER			
		SK6922			