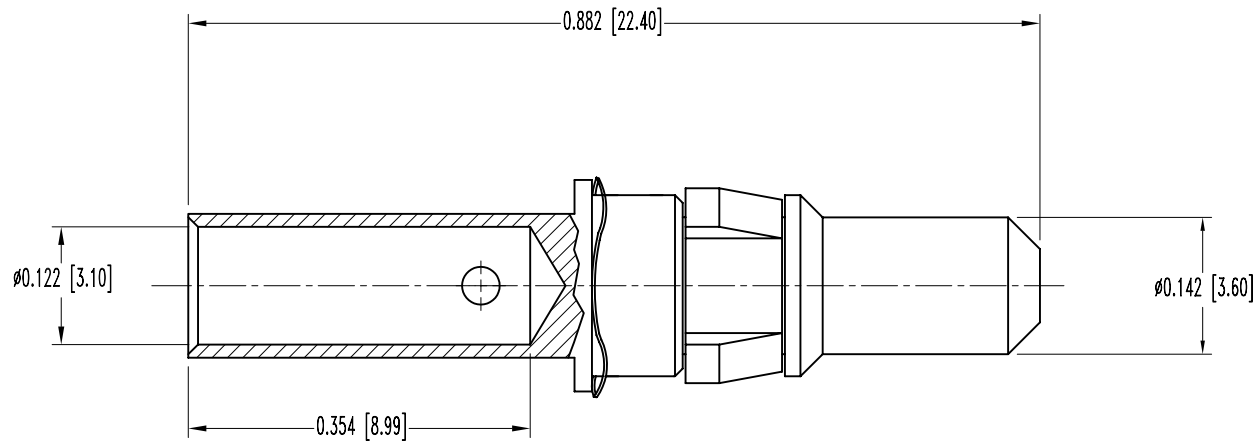


SK6757

POSITRONIC INDUSTRIES BELIEVES THE DATA ON THIS DRAWING TO BE RELIABLE. SINCE THE TECHNICAL INFORMATION IS GIVEN FREE OF CHARGE, THE USER EMPLOYS SUCH INFORMATION AT HIS OWN DISCRETION AND RISK. POSITRONIC INDUSTRIES ASSUMES NO RESPONSIBILITY FOR RESULTS OBTAINED OR DAMAGES INCURRED FROM USE OF SUCH INFORMATION IN WHOLE OR IN PART.

DATE	REV	REVISION RECORD	APP	DR	CK
11-29-05	NC	ECO 25113		YK	



NOTES:

1. MATERIALS AND FINISHES:

- CONTACT: HIGH CONDUCTIVITY COPPER ALLOY, GOLD FLASH OVER NICKEL PLATE.
- RETENTION RING: BERYLLIUM COPPER, NICKEL PLATE.
- SPRING WASHER: BERYLLIUM COPPER, GOLD FLASH OVER NICKEL PLATE.

2. ELECTRICAL CHARACTERISTICS:

- INITIAL CONTACT RESISTANCE: 0.0005 OHMS MAX. PER IEC 512-2, TEST 2b.
- CURRENT RATING: 30 AMPS
- TEMPERATURE RANGE: -55°C TO +125°C.

3. CONTACTS ARE ROHS COMPLIANT PER ROHS DIRECTIVE 2002/95/EC OF 27 JAN 2003.

4. DIMENSIONS ARE IN INCHES [MILLIMETERS].

		POSITRONIC INDUSTRIES INC. www.connectpositronic.com	
		CBD SERIES	SCALE N.T.S.
DECIMAL TOL. ± 0.015 [0.38]	TITLE MC4010D/AA		
ANGULAR TOL. ± 5°	DATE 11-29-05	DRAWING NUMBER SK6757	REV. NC