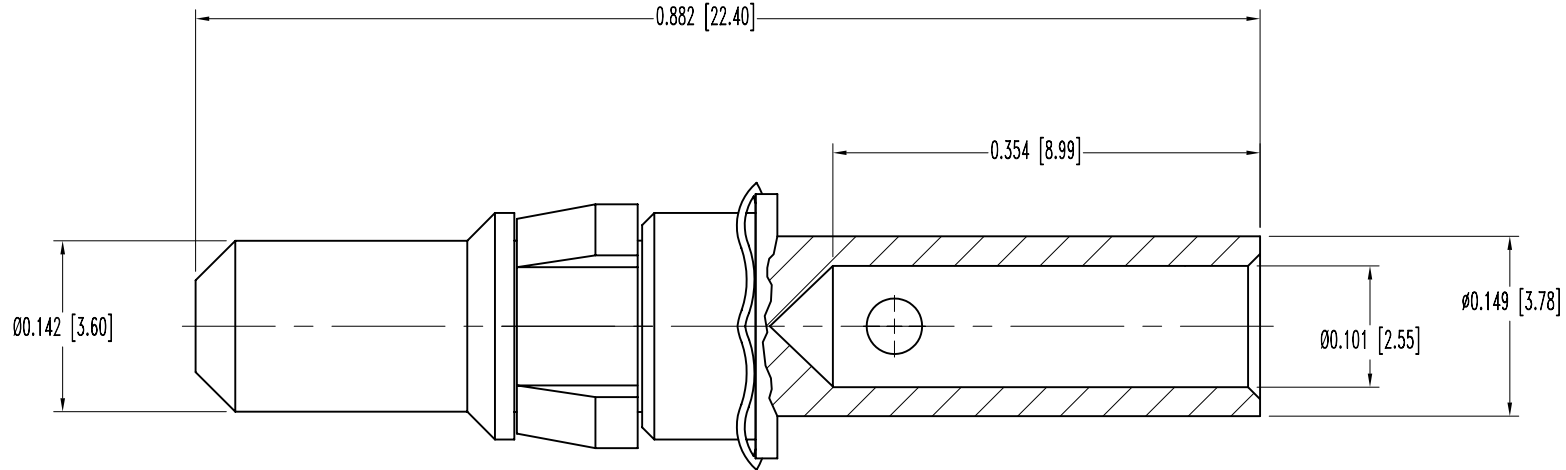


SK7765


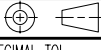
POSITRONIC INDUSTRIES BELIEVES THE DATA ON THIS DRAWING TO BE RELIABLE. SINCE THE TECHNICAL INFORMATION IS GIVEN FREE OF CHARGE, THE USER EMPLOYS SUCH INFORMATION AT HIS OWN DISCRETION AND RISK. POSITRONIC INDUSTRIES ASSUMES NO RESPONSIBILITY FOR RESULTS OBTAINED OR DAMAGES INCURRED FROM USE OF SUCH INFORMATION IN WHOLE OR IN PART.

DATE	REV	REVISION RECORD	APP	DR	CK
7-12-06	NC	ECO 26352		YK	



NOTES:

- MATERIAL & FINISHES:
 CONTACT: HIGH CONDUCTIVITY COPPER ALLOY, GOLD OVER NICKEL PLATE.
 RETENTION RING: BERYLLIUM COPPER, NICKEL PLATE.
 SPRING WASHER: BERYLLIUM COPPER, GOLD FLASH OVER NICKEL PLATE.
- ELECTRICAL CHARACTERISTICS:
 CONTACT CURRENT RATING: 20 AMPERES NOMINAL.
 INITIAL CONTACT RESISTANCE: 0.008 OHMS MAX.
- WORKING TEMPERATURE: -55°C TO +125°C.
- CONTACTS ARE ROHS COMPLIANT PER ROHS DIRECTIVE 2002/95/EC OF 27 JAN 2003.
- DIMENSIONS ARE IN INCHES [MILLIMETERS].

		POSITRONIC INDUSTRIES INC. www.connectpositronic.com	
	CBD SERIES	SCALE N.T.S.	DRAWN BY YK
DECIMAL TOL. ± 0.015 [0.38]	TITLE MC4012D/AA		
ANGULAR TOL. ± 5°	DATE 7-12-06	DRAWING NUMBER SK7765	REV. NC