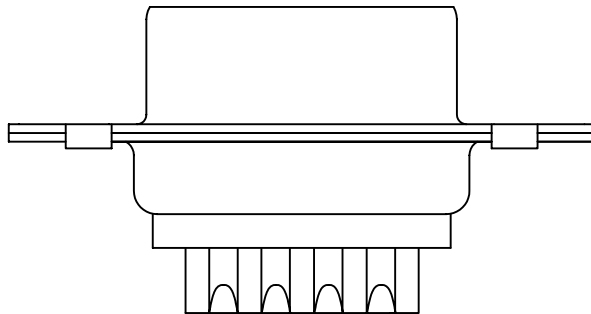
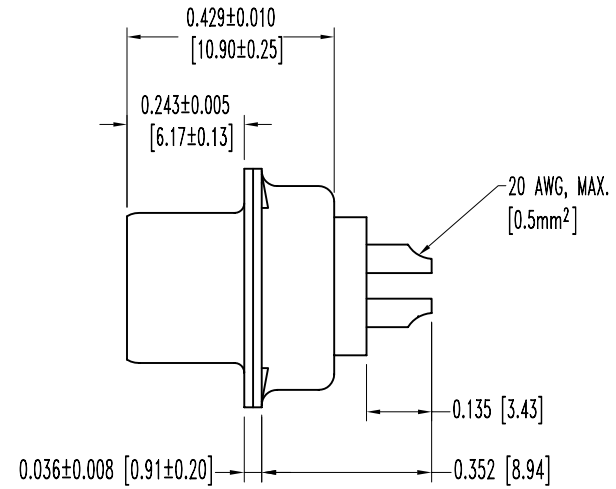
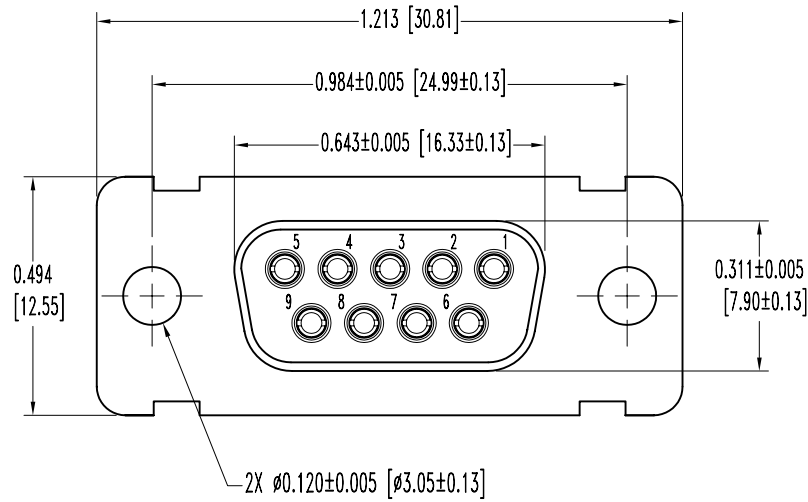


SK7067

POSITRONIC INDUSTRIES BELIEVES THE DATA ON THIS DRAWING TO BE RELIABLE. SINCE THE TECHNICAL INFORMATION IS GIVEN FREE OF CHARGE, THE USER EMPLOYS SUCH INFORMATION AT HIS OWN DISCRETION AND RISK. POSITRONIC INDUSTRIES ASSUMES NO RESPONSIBILITY FOR RESULTS OBTAINED OR DAMAGES INCURRED FROM USE OF SUCH INFORMATION IN WHOLE OR IN PART.

DATE	REV	REVISION RECORD	APP	DR	CK
2-20-06	NC	ECO 25522		ME	



NOTES:

- MATERIALS AND FINISHES:
 INSULATOR: NYLON RESIN, UL 94V-0 BLACK COLOR.
 CONTACTS: PRECISION MACHINED HIGH TENSILE PHOSPHOR BRONZE, GOLD FLASH OVER NICKEL PLATE.
 SHELLS: PASSIVATED, STAINLESS STEEL.
- ELECTRICAL CHARACTERISTICS:
 CONTACT CURRENT RATING: 7.5 AMPS NOMINAL.
 INITIAL CONTACT RESISTANCE: 0.008 OHMS MAXIMUM.
 INSULATOR RESISTANCE: 5 G OHMS.
- WORKING TEMPERATURE: -55°C TO +125°C.
- DIMENSIONS ARE IN INCHES [MILLIMETERS].

	POSITRONIC INDUSTRIES INC. www.connectpositronic.com		SCALE	DRAWN BY
	MD SERIES		N.T.S.	M. ENEA
DECIMAL TOL. ± 0.015 [0.38]	TITLE MD9F2000S			
ANGULAR TOL. ± 5°	DATE 2-20-06	DRAWING NUMBER SK7067	REV. NC	