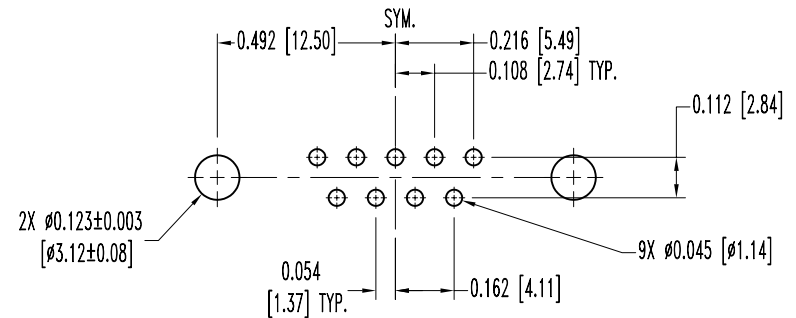
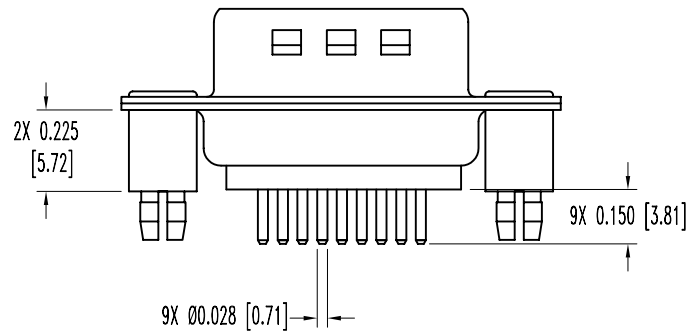
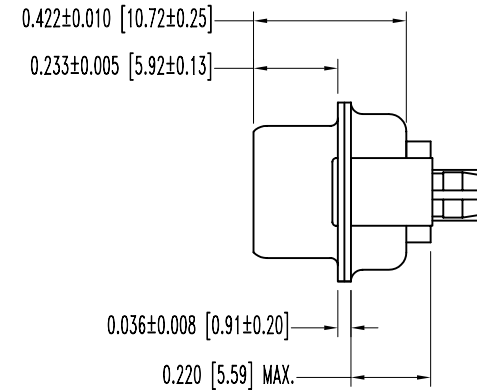
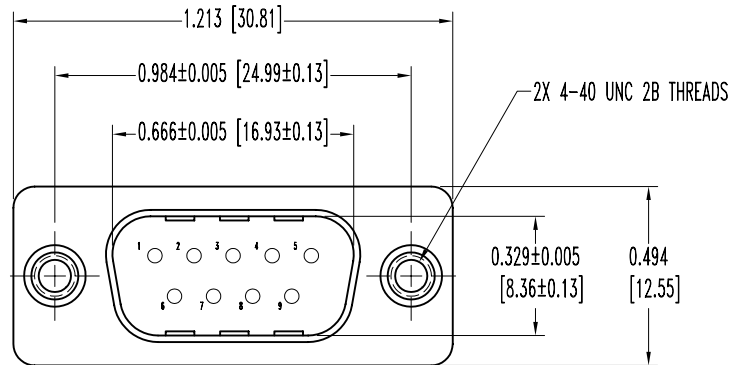


POSITRONIC INDUSTRIES BELIEVES THE DATA ON THIS DRAWING TO BE RELIABLE, SINCE THE TECHNICAL INFORMATION IS GIVEN FREE OF CHARGE, THE USER EMPLOYS SUCH INFORMATION AT HIS OWN DISCRETION AND RISK. POSITRONIC INDUSTRIES ASSUMES NO RESPONSIBILITY FOR RESULTS OBTAINED OR DAMAGES INCURRED FROM USE OF SUCH INFORMATION IN WHOLE OR IN PART.

DATE	REV	REVISION RECORD	APP	DR	CK
5-15-06	NC	ECO 25963		YK	



CONTACT HOLE PATTERN

NOTES:

1. MATERIALS AND FINISHES:

INSULATOR: GLASS FILLED NYLON RESIN, UL 94V-0, BLACK COLOR.

CONTACTS: PRECISION MACHINED HIGH TENSILE PHOSPHOR BRONZE, GOLD FLASH OVER NICKEL PLATE.

SHELLS: STEEL, TIN PLATED AND DIMPLED.

PUSH-ON FASTENERS: PHOSPHOR BRONZE WITH TIN PLATE.

2. ELECTRICAL CHARACTERISTICS:

CONTACT CURRENT RATING: 7.5 AMPS, NOMINAL.

INITIAL CONTACT RESISTANCE: 0.008 OHMS MAXIMUM.

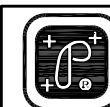
INSULATION RESISTANCE: 5 G OHMS.

WORKING VOLTAGE: 300 V r.m.s.

3. TEMPERATURE RANGE: -55°C TO +125°C.

4. CONNECTORS ARE ROHS COMPLIANT PER ROHS DIRECTIVE 2002/95/EC OF 27 JAN 2003.

5. DIMENSIONS ARE IN INCHES [MILLIMETERS].



POSITRONIC INDUSTRIES INC.
www.connectpositronic.com

 DECIMAL TOL. ± 0.015 [0.38]	MD SERIES	SCALE N.T.S.	DRAWN BY YK
	TITLE MD9M3S600Z/AA	APPROVED BY	
ANGULAR TOL. ± 5°	DATE 5-15-06	DRAWING NUMBER SK7396	REV. NC