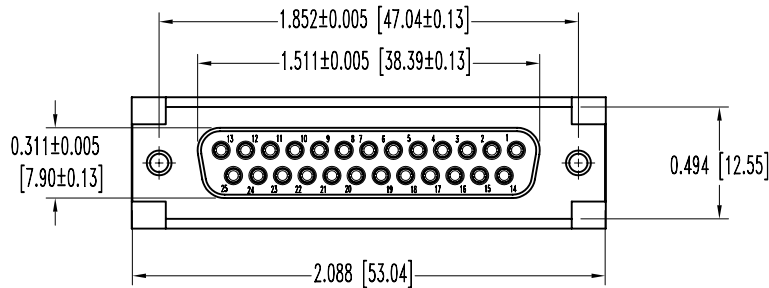
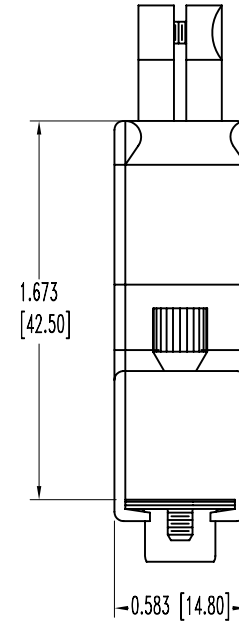
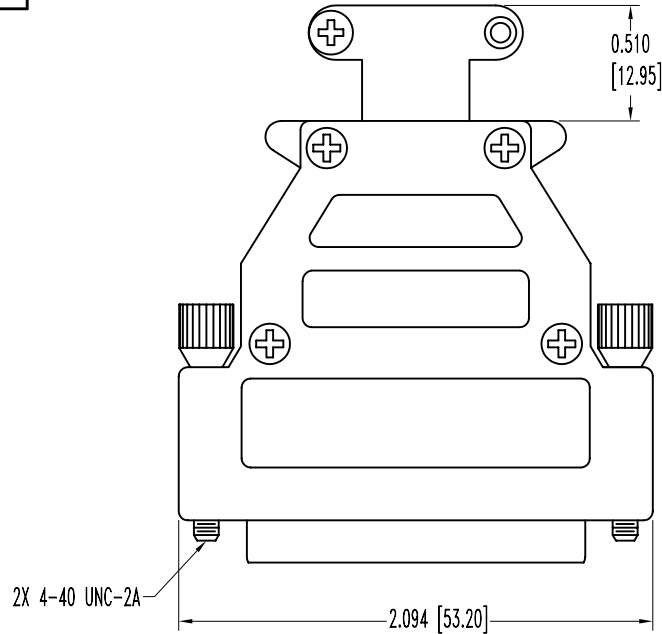


SK6529

POSITRONIC INDUSTRIES BELIEVES THE DATA ON THIS DRAWING TO BE RELIABLE. SINCE THE TECHNICAL INFORMATION IS GIVEN FREE OF CHARGE, THE USER EMPLOYS SUCH INFORMATION AT HIS OWN DISCRETION AND RISK. POSITRONIC INDUSTRIES ASSUMES NO RESPONSIBILITY FOR RESULTS OBTAINED OR DAMAGES INCURRED FROM USE OF SUCH INFORMATION IN WHOLE OR IN PART.

| DATE | REV | REVISION RECORD | APP | DR | CK |
|--------|-----|-----------------|-----|----|----|
| 9-2-05 | NC | ECO 24592 | | YK | |
| | | | | | |
| | | | | | |
| | | | | | |



NOTES:

1. MATERIALS AND FINISHES:

- INSULATOR: NYLON RESIN, UL94V-0, BLACK COLOR.
- CONTACTS: PRECISION MACHINED HIGH TENSILE COPPER ALLOY, GOLD FLASH OVER NICKEL PLATE.
- SHELLS: STEEL, ZINC PLATE WITH DICHROMATE SEAL.
- HOOD: ZINC, DIE CAST.
- CABLE CLAMPS: ZINC, DIE CAST.
- JACKSCREWS: STEEL, WITH NICKEL PLATE.
- SCREWS: STEEL, NICKEL PLATE.

2. ELECTRICAL CHARACTERISTICS:

- CONTACT CURRENT RATING: 7.5 AMPERES NOMINAL.
- INITIAL CONTACT RESISTANCE: 0.008 OHMS MAXIMUM.
- INSULATOR RESISTANCE: 5 G OHMS.
- WORKING VOLTAGE: 300 V r.m.s.

3. TEMPERATURE RANGE: -55°C TO +125°C.

4. DIMENSIONS ARE IN INCHES [MILLIMETERS].

| | | | |
|--------------------------------|---------------------|--|------------|
| | | POSITRONIC INDUSTRIES INC. www.connectpositronic.com | |
| | | | |
| DECIMAL TOL. ± 0.015 [0.38] | TITLE MD25F20GE0 | | |
| ANGULAR TOL. ± 5° | DATE 9-2-05 | DRAWING NUMBER SK6529 | REV. NC |