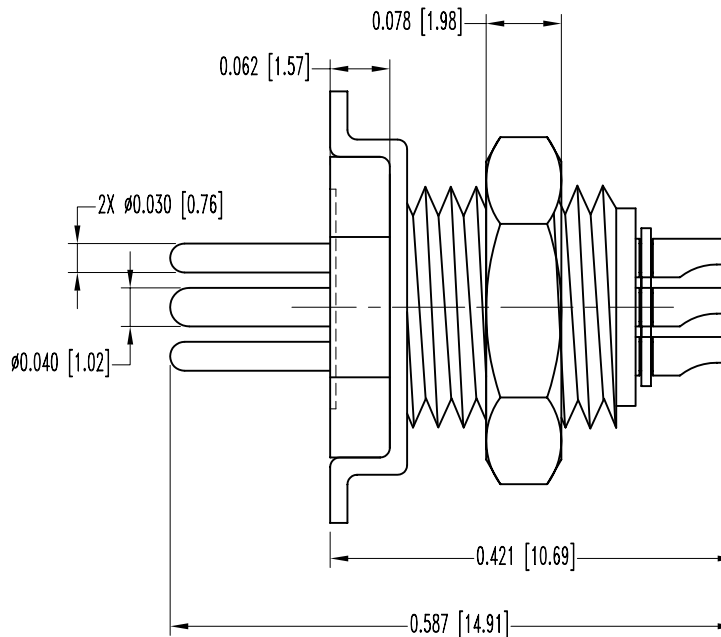
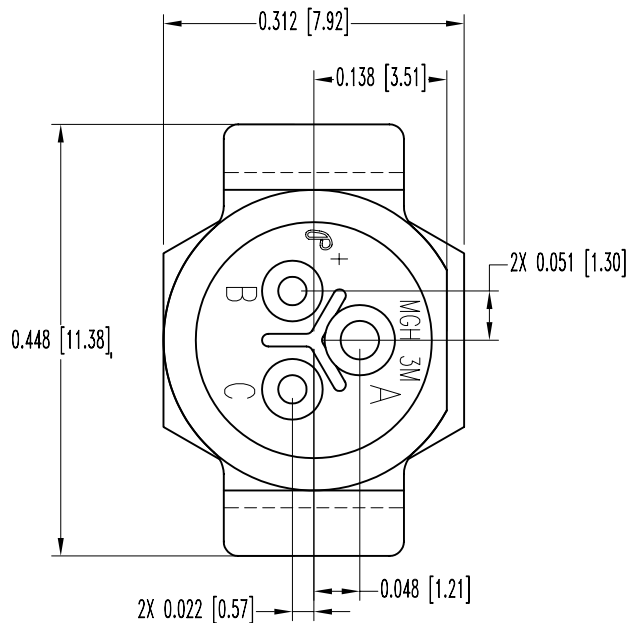


SK8363

POSITRONIC INDUSTRIES BELIEVES THE DATA ON THIS DRAWING TO BE RELIABLE, SINCE THE TECHNICAL INFORMATION IS GIVEN FREE OF CHARGE, THE USER EMPLOYS SUCH INFORMATION AT HIS OWN DISCRETION AND RISK. POSITRONIC INDUSTRIES ASSUMES NO RESPONSIBILITY FOR RESULTS OBTAINED OR DAMAGES INCURRED FROM USE OF SUCH INFORMATION IN WHOLE OR IN PART.

DATE	REV	REVISION RECORD	APP	DR	CK
3-1-07	NC	ECO 27556		MM	



NOTES:

- MATERIALS AND FINISHES:
 INSULATOR: GLASS-FILLED DAP PER ASTM-D-5948, TYPE SDG-F, GREY COLOR.
 CONTACTS: COPPER ALLOY, GOLD FLASH OVER NICKEL FINISH.
 LOCK RING AND HEX NUTS: BRASS, ZINC FINISH WITH CHROMATE SEAL.
- ELECTRICAL CHARACTERISTICS:
 CONTACT CURRENT RATING: 3 AMPERES, MAXIMUM.
 INITIAL CONTACT RESISTANCE: 0.012 OHMS, MAXIMUM.
 INSULATION RESISTANCE: 5 G OHMS.
 WORKING VOLTAGE: 250 VAC (rms).
- TEMPERATURE RANGE: -55°C TO +125° C.
- DIMENSIONS ARE IN INCHES [MILLIMETERS].

 POSITRONIC INDUSTRIES INC. www.connectpositronic.com		SCALE N.T.S.		DRAWN BY M. MYERS	
DECIMAL TOL. ± 0.015 [0.38]		CIRCULAR SERIES		APPROVED BY	
		TITLE MGH3MSCLRNO			
ANGULAR TOL. ± 5°		DATE 3-1-07		DRAWING NUMBER SK8363	
				REV. NC	