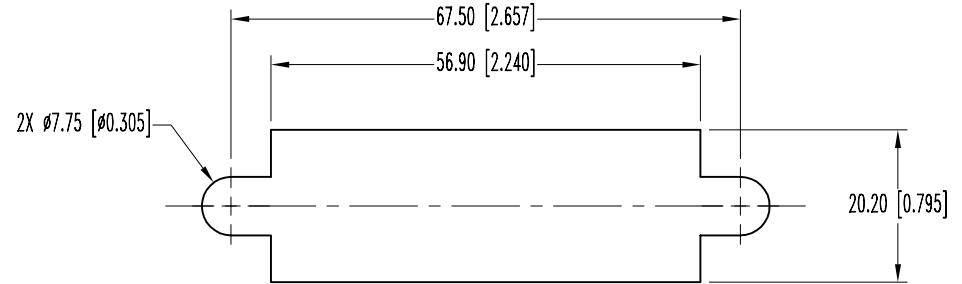
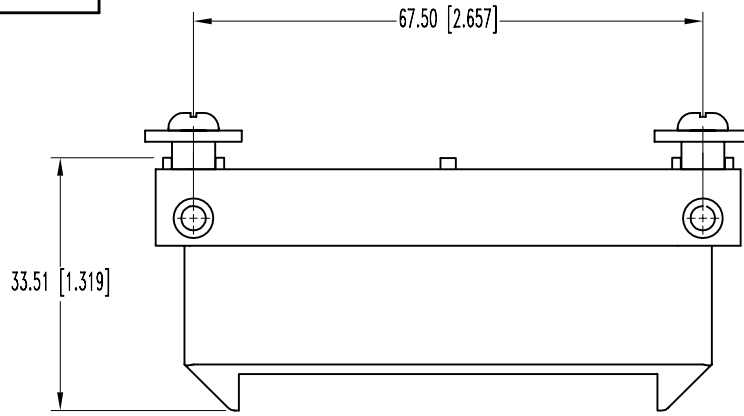


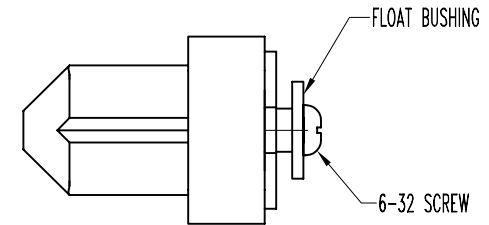
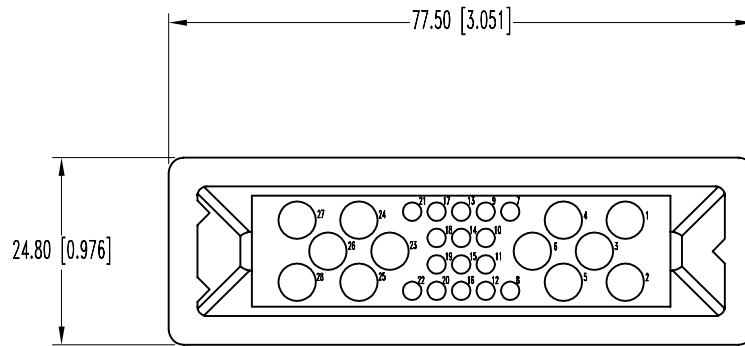
SK3412

POSITRONIC INDUSTRIES BELIEVES THE DATA ON THIS DRAWING TO BE RELIABLE. SINCE THE TECHNICAL INFORMATION IS GIVEN FREE OF CHARGE, THE USER EMPLOYS SUCH INFORMATION AT HIS OWN DISCRETION AND RISK. POSITRONIC INDUSTRIES ASSUMES NO RESPONSIBILITY FOR RESULTS OBTAINED OR DAMAGES INCURRED FROM USE OF SUCH INFORMATION IN WHOLE OR IN PART.

DATE	REV	REVISION RECORD	APP	DR	CK
9-7-00	NC	ECO 16762		JLG	



PANEL CUTOUT



NOTES:

- MATERIAL AND FINISHES:
 INSULATOR: GLASS FILLED POLYESTER, UL 94V-0 BLUE COLOR.
 SCREWS: STEEL, ZINC PLATE.
 FLOAT BUSHINGS: STEEL C12L14.
- ELECTRICAL CHARACTERISTICS:
 INSULATOR RESISTANCE: 5 G OHMS PER IEC 512-2, TEST 3a.
- MECHANICAL CHARACTERISTICS:
 BLIND MATING SYSTEM: MALE AND FEMALE CONNECTOR BODIES PROVIDE "LEAD-IN" FOR 7.6mm [0.30 in.] DIAMETRAL MISALIGNMENT.
 POLARIZATION: PROVIDED BY CONNECTOR BODY DESIGN.
 FLOAT MOUNT: PROVIDES UP TO 2.03 [0.080] FLOAT FOR A 1.52 [0.060] THICK PANEL.
- WORKING TEMPERATURE: -55°C TO +125°C.
- CONTACTS ORDERED SEPARATELY:
 CONTACTS: PRECISION MACHINED COPPPER ALLOY WITH GOLD OVER NICKEL.
 INSERT CONTACT IN REAR FACE OF INSULATOR, RELEASE FROM FRONT FACE OF INSULATOR. CONTACT SIZES ARE 12 AND 20.
- DIMENSIONS ARE IN MILLIMETERS [INCHES].

		POSITRONIC INDUSTRIES INC. www.connectpositronic.com	
DECIMAL TOL. ± 0.38 [0.015]	MIP SERIES 12 SIZE 12, 16 SIZE 20 CRIMP CONTACTS	SCALE N.T.S.	DRAWN BY J. GREEN
WF # 3098	TITLE MIP28W12F00820		
ANGULAR TOL. ± 5°	DATE 9-7-00	DRAWING NUMBER SK3412	REV. NC